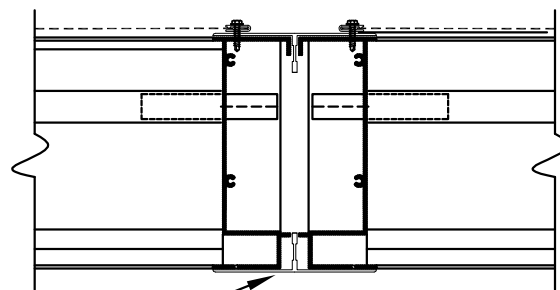
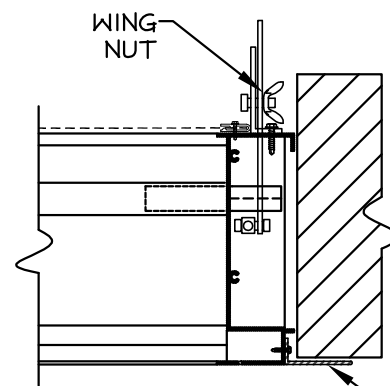


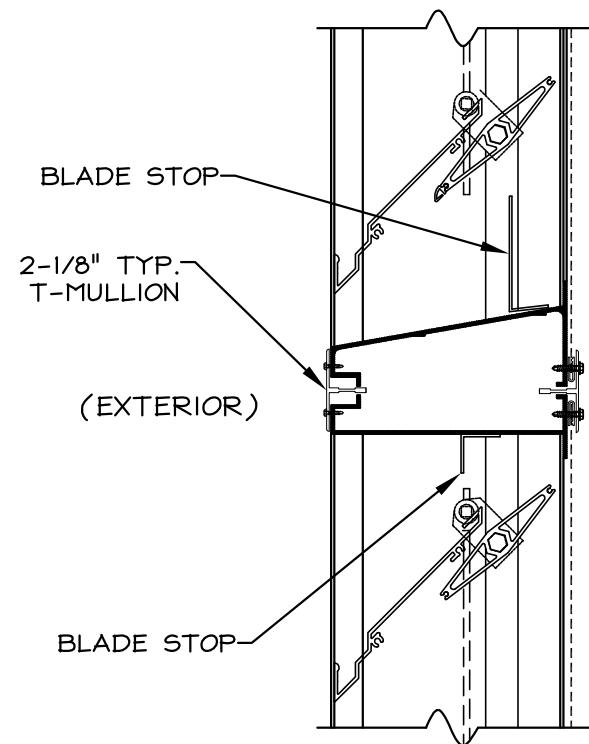
(EXTERIOR)  
PLAN VIEW  
BOX FRAME



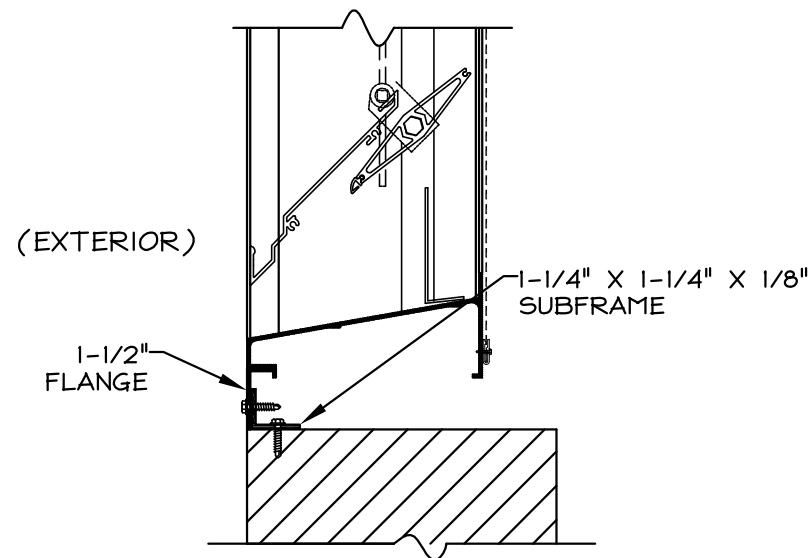
(EXTERIOR)  
VERTICAL VISIBLE  
MULLION



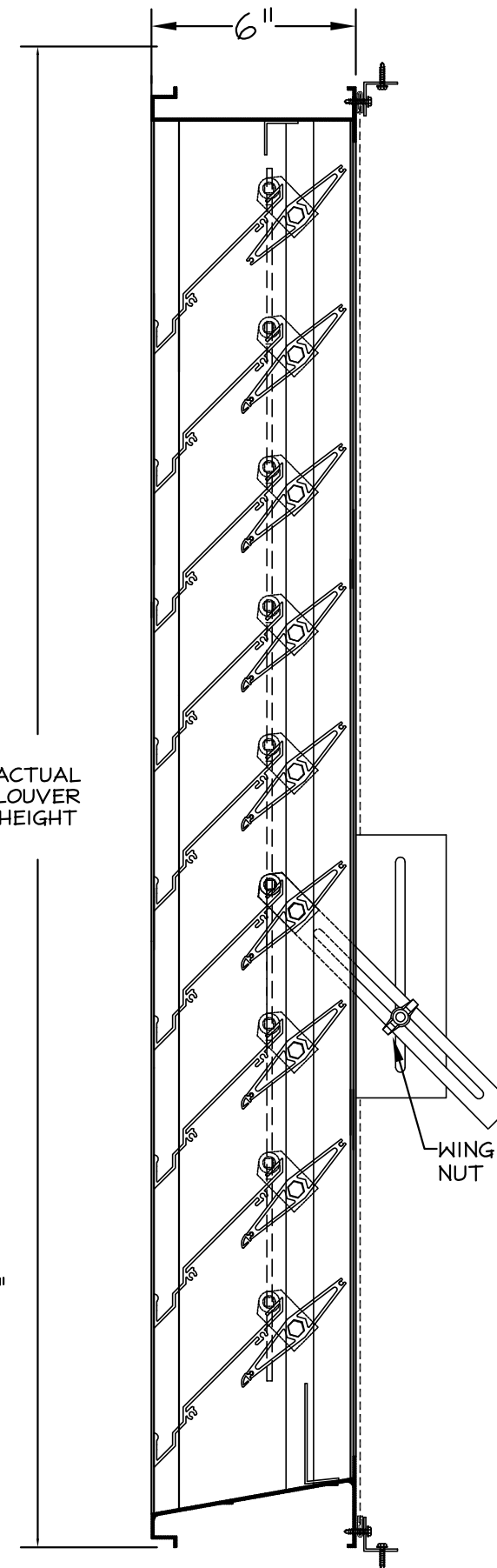
(EXTERIOR)  
FLANGE FRAME



(EXTERIOR)  
HORIZONTAL VISIBLE  
MULLION



FLANGE W/  
SUBFRAME



VERTICAL SECTION

STANDARD CONSTRUCTION

MODEL: C-DWE-AF/SERIES  
 FRAME: .081" THK. EXTRUDED ALUM. 6063-T5  
 BLADES: FIXED-.081" THK. EXTR. ALUM. 6063-T5  
 ADJUSTABLE-AIRFOIL .162" THK EXTRU. ALUM.  
 BLADE AXLES AND BEARINGS:  
 7/16" PLATED HEX AND BRONZE  
 OILITE BUSHING  
 SEALS: VINYL BLADE AND FLEXIBLE ALUMINUM  
 JAMB SEALS  
 FASTENERS: #10-16 X 1" PLTD. STL. TEK SCREW  
 SCREEN: 1/2" X .051" FLATTENED EXPANDED  
 ALUMINUM SCREEN IN FRAME  
 FINISH: MILL  
 OPERATOR: WING-NUT TYPE ADJUSTABLE

NOTES

1. ALL LOUVERS TO BE FABRICATED 1/4" UNDER LISTED OPNG. SIZES UNLESS SPECIFIED "ACTUAL"
2. ALL OPNG SIZES TO BE FIELD VERIFIED AND GUARANTEED BY OTHERS PRIOR TO FABRICATION.
3. OTHER SURROUNDING FINISHES ARE FOR REFERENCES ONLY AND TO BE SUPPLIED BY OTHERS.

REV.	DESCRIPTION	DATE	BY
		DEPENDABLE PRODUCTS SINCE 1955	
1855 SOUTH 54TH AVENUE, CICERO, IL. 60650		ARCH/ENGR: _____ CUSTOMER: _____	
PROJECT: _____		TITLE: C-DWE-AF/SERIES	
DATE:	DRAWN:		
SCALE: 1:1	CHKD:	DRWG #:	