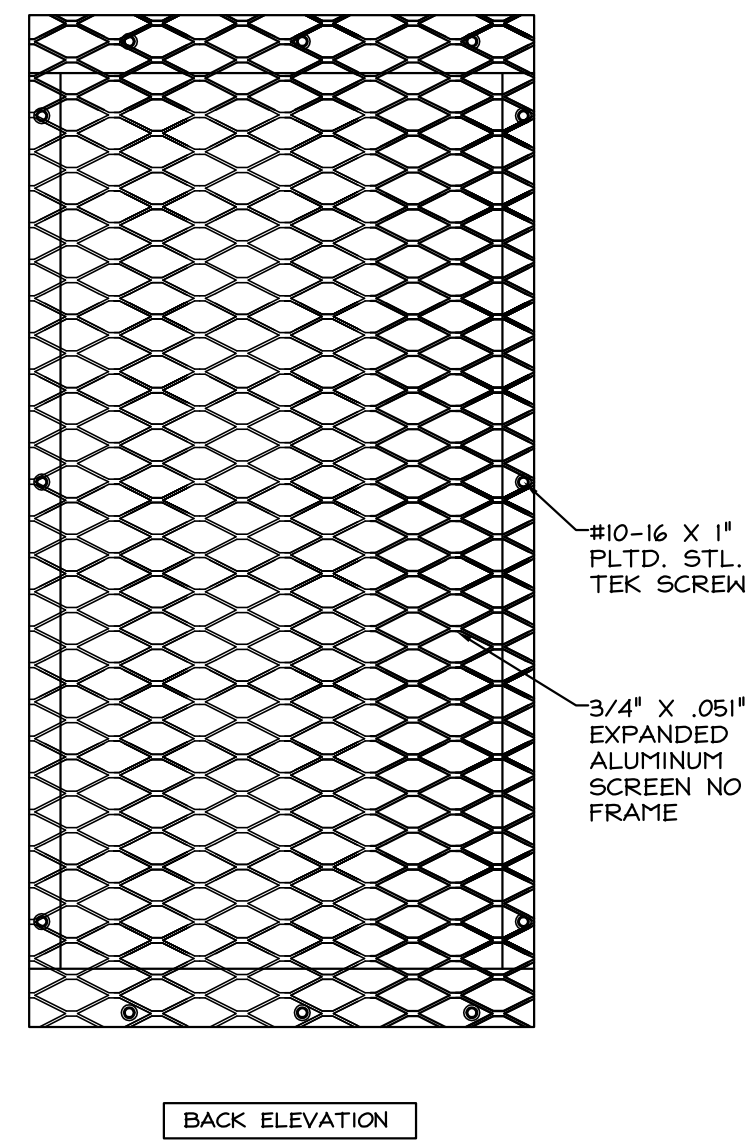
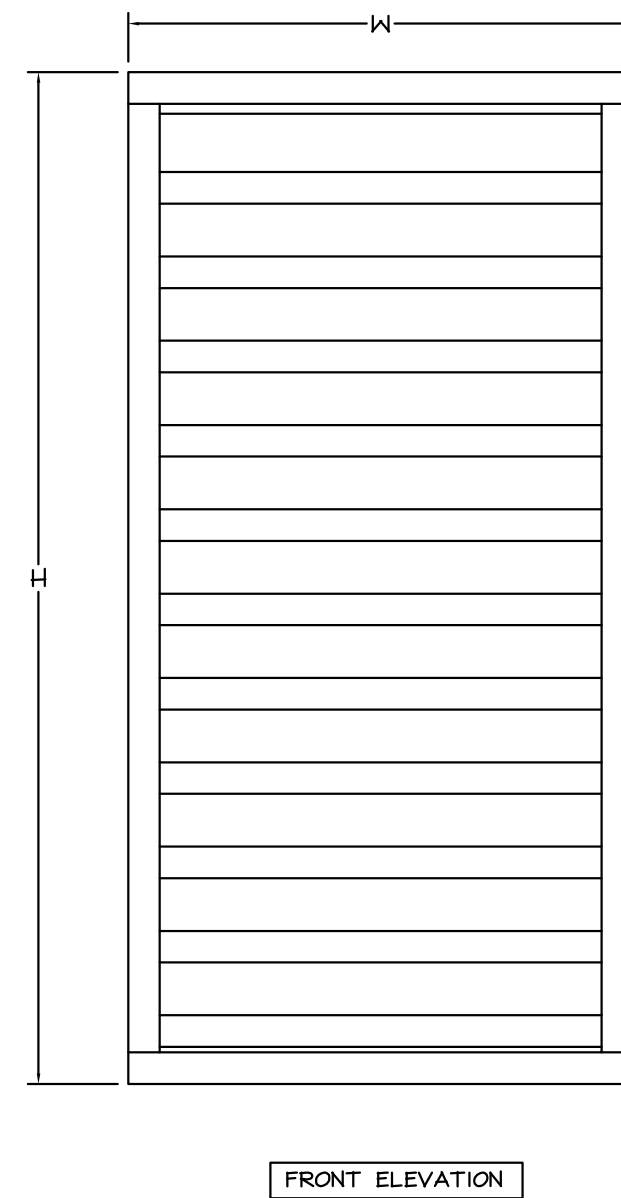
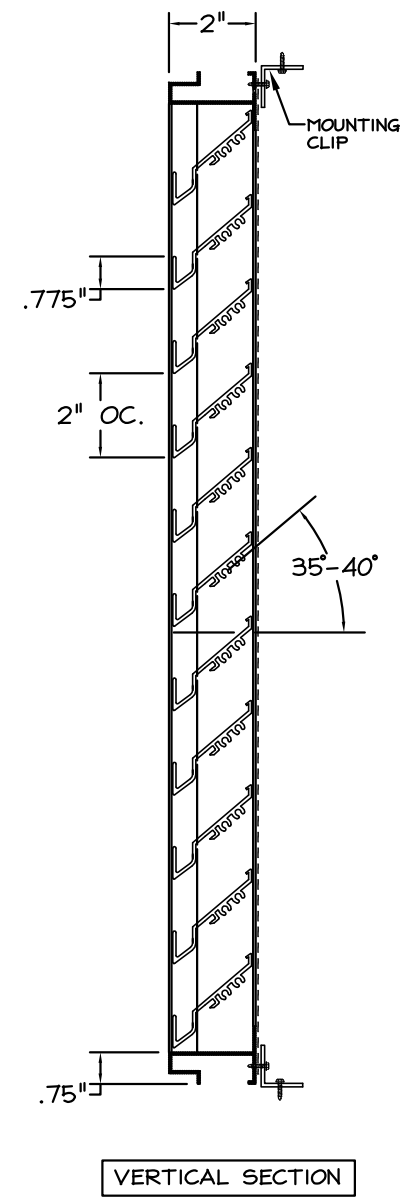
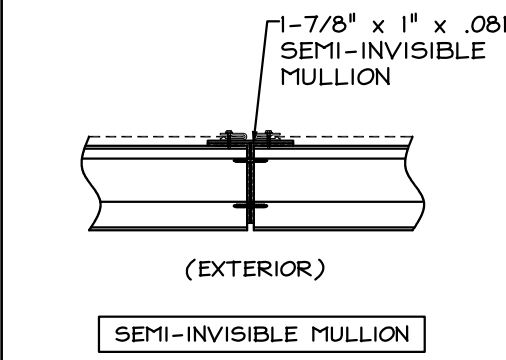
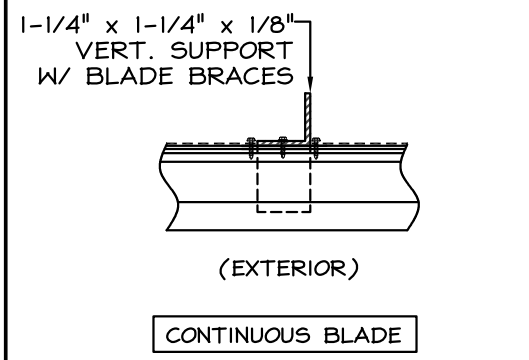
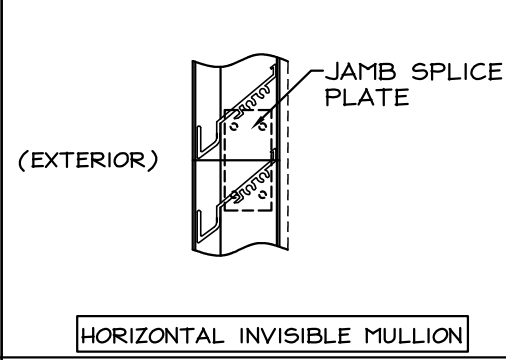
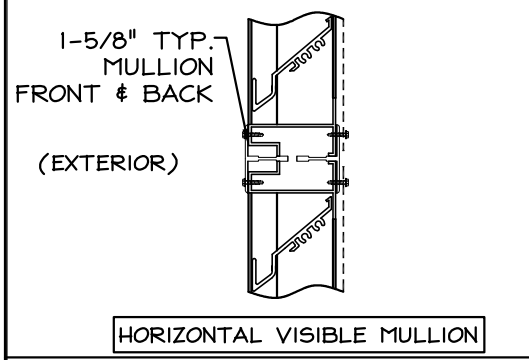
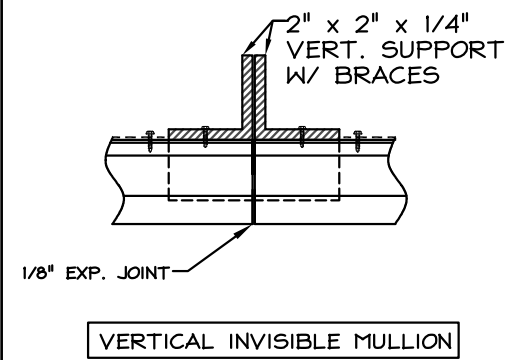
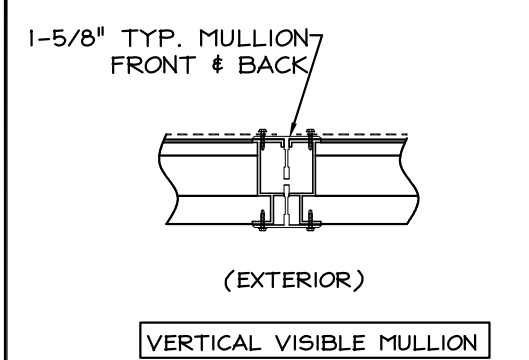
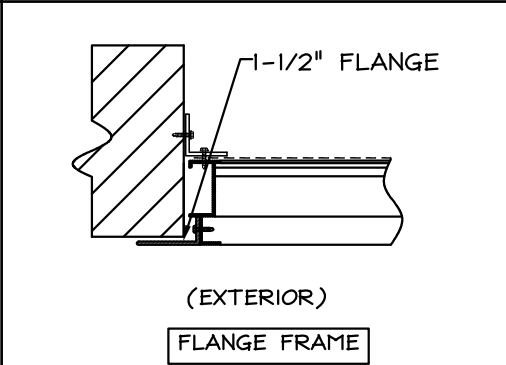
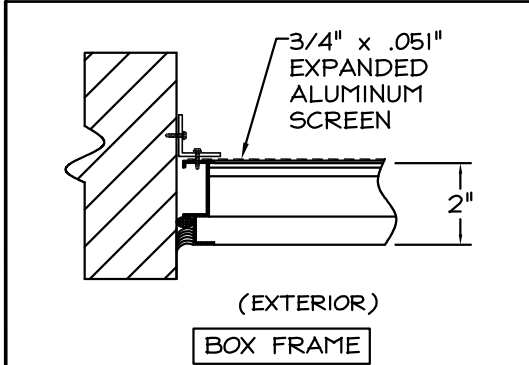


STANDARD CONSTRUCTION

OPTIONAL CONSTRUCTION

STATIONARY DRAINABLE EXTRUDED ALUMINUM LOUVER

DWE-02/SERIES



**STANDARD CONSTRUCTION:**  
 FRAME: .063" THK. EXTRUDED ALUM. 6063-T5  
 BLADES: .063" THK. EXTRUDED ALUM. 6063-T5  
 FASTENERS: #10-16 X 1" PLTD. STL. TEK SCREW  
 SCREEN: 3/4" X .051" EXPANDED ALUMINUM SCREEN NO FRAME  
 FINISH: MILL

**NOTES:**  
 1. ALL LOUVERS TO BE FABRICATED 1/4" UNDER LISTED OPENING SIZES UNLESS SPECIFIED "ACTUAL"  
 2. ALL OPENING SIZES TO BE FIELD VERIFIED AND GUARANTEED BY OTHERS PRIOR TO FABRICATION.  
 3. OTHER SURROUNDING FINISHES ARE FOR REFERENCES ONLY AND TO BE SUPPLIED BY OTHERS.

LOUVER SCHEDULE				TAG	QTY	SIZE (WXH)	NOTES
TAG	QTY	SIZE (WXH)	NOTES				

**DOWCO** Products Group

1855 SOUTH 54TH AVENUE, CICERO, IL. 60650

DEPENDABLE PRODUCTS SINCE 1955

ARCH/ENGR:	CUSTOMER:
PROJECT:	TITLE: DWE-02/SERIES
DATE:	DRAWN:
SCALE: 1:1	CHKD:
	DRWG #:

REV.	DESCRIPTION	DATE	BY