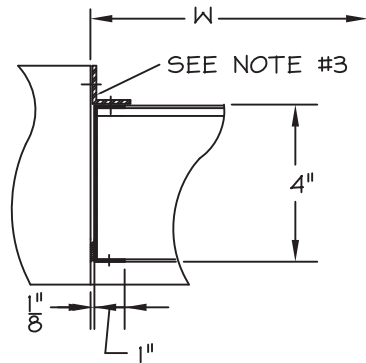


FRONT ELEVATION



HORIZ. SECT. (A)



VERT. SECT. (B)

STANDARD CONSTRUCTION  
 MODEL: UFC-04-200D-A  
 FRAME: 16 GA. GALVANIZED STEEL  
 BLADES: 18 GA. GALVANIZED STEEL  
 SOUND INSULATION: 6# DENSITY  
 PER CU. FT. MINERAL WOOL  
 ASSEMBLY: PLATED RIVETS  
 EXPOSED TO VIEW  
 SCREEN: 1/2" MESH X 19 GA. SCREEN  
 FINISH: MILL FINISH

NOTES:

1. ALL LOUVER TO BE FABRICATED PER 1/4" UNDER LISTED OPNG. SIZES UNLESS OTHERWISE SPECIFIED "ACTUAL".
2. ALL OPNG SIZES TO BE FIELD VERIFIED AND GUARANTEED BY OTHERS PRIOR TO FABRICATION.
3. SUPPORT ALL LOUVERS BY MOUNTING CLIPS (SUPPLIED BY OTHERS) @ EVERY 24" OC. OR APPROVED EQUAL.

**SAFE AIR**  **DOWCO**  DEPENDABLE PRODUCTS SINCE 1965  
 1855 SOUTH 54TH AVENUE, CICERO, IL. 60650

ARCH/ENGR: \_\_\_\_\_ CUSTOMER: \_\_\_\_\_

PROJECT: \_\_\_\_\_ TITLE: UFC-04/SERIES

DATE: \_\_\_\_\_ DRAWN: \_\_\_\_\_ DRWG #: \_\_\_\_\_  
 CHKD: \_\_\_\_\_

REV.	DESCRIPTION	DATE	BY