

**ROUND CONTROL DAMPER - MODEL 616 / 617**

**Design Features** – Nested closure “V” blade design that provides a greater sealing surface than competitive designs.

**STANDARD CONSTRUCTION**

**FRAME**

4-5/16" deep, 16 gauge galvanized steel

**BLADES**

616 - 6" wide opposed blades, 16 gauge galvanized steel

617 - 6" wide parallel blades, 16 gauge galvanized steel

**BLADE AXLES & BEARINGS**

AXLE – 7/16" Plated hex

BEARING – Bronze oil impregnated

**LINKAGE**

616 - Plated steel blade mounted as shown

617 – Plated steel blade mounted @ mid span

**MAXIMUM SINGLE SECTION**

72" diameter

**MINIMUM SIZE**

8" diameter

**SEALS**

Optional

**UNDERSIZED**

1/4" under ordered size unless specified Exact or Actual

**FINISH**

Mill

**OPERATOR**

None

**OPTIONAL CONSTRUCTION**

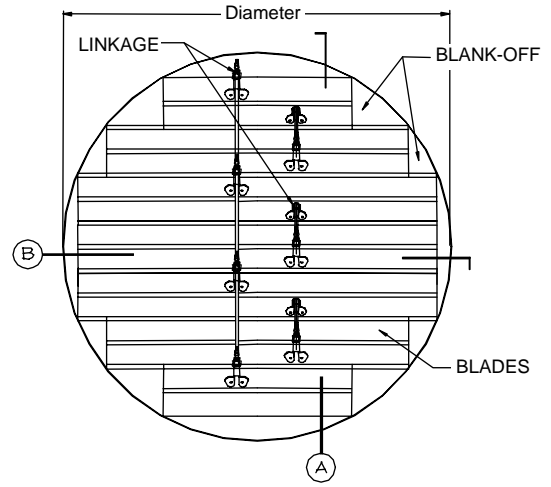
**FRAME** – Available in heavier galvanized construction up to 10 gauge

**BLADES** – Available in heavier galvanized construction up to 18 gauge

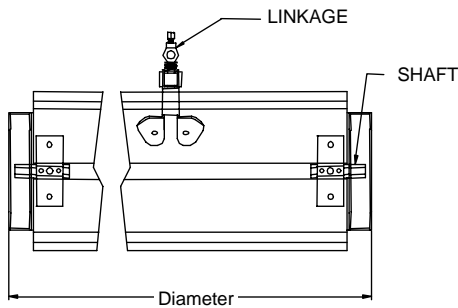
**SPECIFIED MATERIAL** – Available in stainless, Aluminum or as requested

**BLADE & JAMB SEALS** – Foam blade edge and/or foam jamb seals

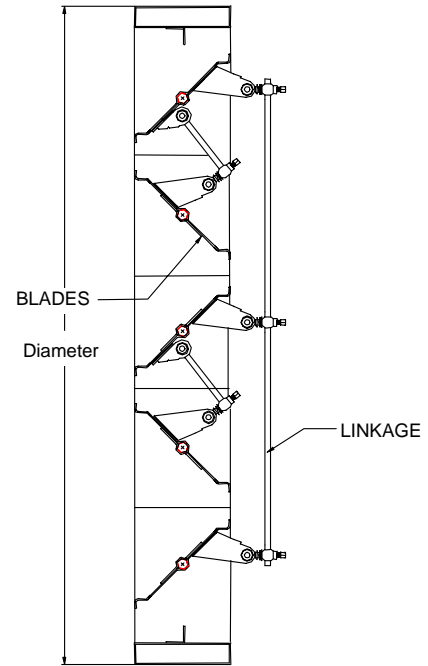
**OPERATOR** – Manual, electric or pneumatic, internally or externally mounted, please consult operator listing



**ELEVATION**



**SECTION - A**



**SECTION - B**

DATE	ARCHITECT / ENGINEER			CUSTOMER
PROJECT				
ITEM	QTY	W	H	DESCRIPTION