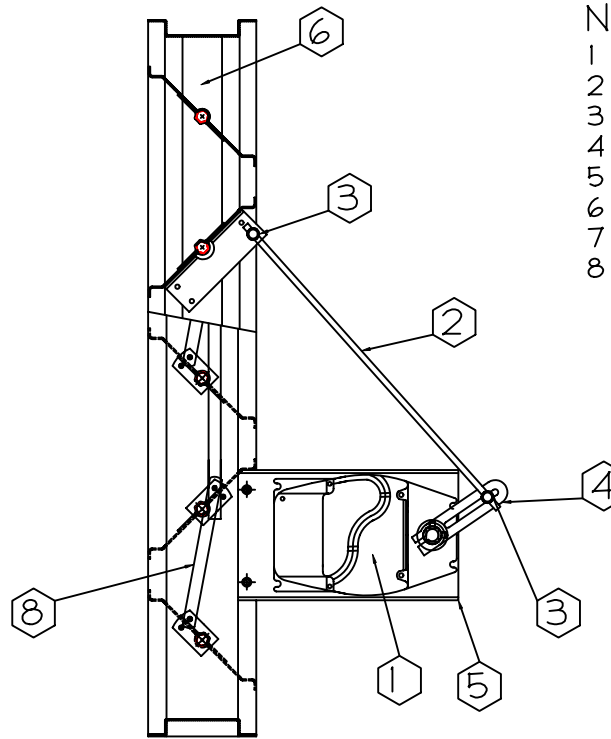


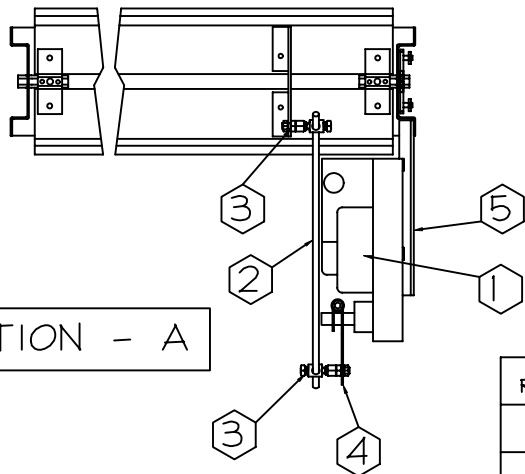
ELEVATION



SECTION - B

- NOMENCLATURE
- 1 - ACTUATOR
 - 2 - 5/16" PLTD STL ROD
 - 3 - SWIVEL
 - 4 - CRANK ARM
 - 5 - MOUNTING BRACKET
 - 6 - DAMPER
 - 7 - BLADE BRACKET
 - 8 - PLTD STEEL LINKAGE

ML-4115, MS8209, MS4209, ML8115
INTERNAL MOUNT



SECTION - A



DEPENDABLE PRODUCTS
SINCE 1955

708-652-9100 FAX-652-9158

1855 SOUTH 54TH AVENUE, CICERO, IL. 60650

ARCH/ENGR:

CUSTOMER:

REV.	DESCRIPTION	DATE	BY	PROJECT:	TITLE:
				ACTUATOR MTG.	
				DATE: 5/17/04	DRAWN: <i>JN</i> CHKD:
					DRWG #: