

Dynamic Integral Sleeve Curtain Fire Damper Model – D-150-12B, 14B, 16B

Features – U.L. rated 1 ½ hour fire damper, for use in a 2 hour fire partition. • Meets NFPA 90A & UL 555 • Meets California State Fire Marshal Requirements.

STANDARD CONSTRUCTION

FRAME AND SLEEVE

- 150-12B 12" x 20 gauge galvanized steel
- 150-14B 14" x 20 gauge galvanized steel
- 150-16B 16" x 20 gauge galvanized steel

BLADES

- 3-3/8" wide 22 gauge galvanized steel

MAXIMUM SINGLE SECTION

- Vertical: 24"w x 21"h

MINIMUM SIZE

- Vertical: 4"w x 4"h

UNDERSIZED

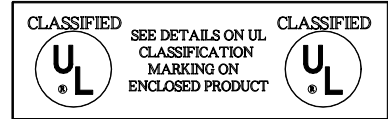
- ¼" undersize unless specified otherwise

FUSIBLE LINK

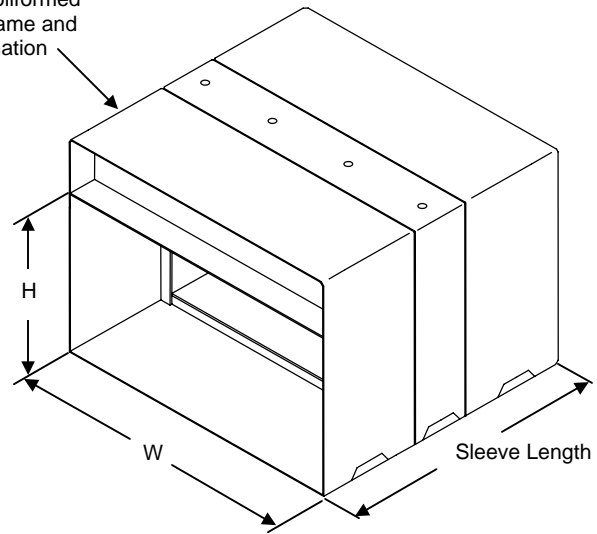
- 165° standard (others available)

SPRINGS

- Stainless steel – 301 Negator type

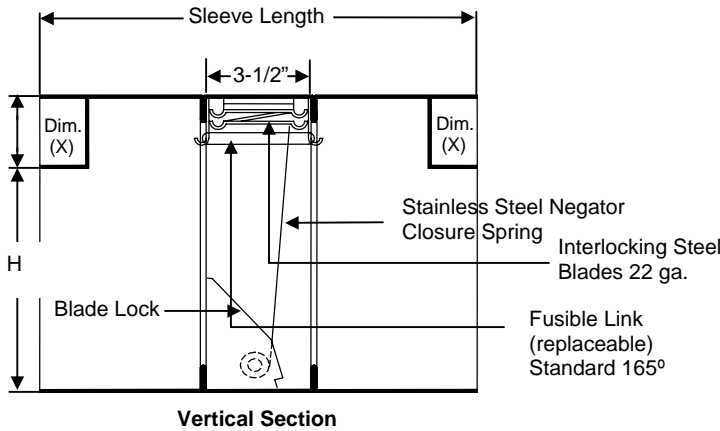


Damper is a rollformed 20 ga. steel frame and sleeve combination



OPTIONAL CONSTRUCTION

- RETAINING ANGLES** – Shipped Loose
- SECURITY BARS** – Mounted in sleeve
- FUSIBLE LINK** – Electronically triggered link (ETL)



Duct Height	Dim. (X)
4" thru 15"	2"
16" thru 24"	3"

DATE	ARCHITECT			ENGINEER
PROJECT				
ITEM	QTY	W	H	DESCRIPTION



DEPENDABLE PRODUCTS SINCE 1955

SAFE-AIR OF ILLINOIS, INC.

Engineering and General Offices
 1855 South 54th Avenue, Cicero, Illinois 60804
 Phone 708-652-9100 FAX 708-652-9158