

Architectural Vertical Blade Enclosure - Model GSE-20 series

Design Features: Low cost design that provides shading, privacy and security. Attractive enclosure of cooling towers, mechanical equipment and parking structures.

STANDARD CONSTRUCTION

BLADES

1 part blade, .081" extruded aluminum alloy 6063-T5,
vertical blade arrangement 7-1/4" minimum to 8-1/2" maximum
blade spacing, 1" deep

SUPPORTS:

2" x 2" x 1/4" extruded aluminum angle alloy 6063-T5

FASTENERS:

5/16" dia. x 1" plated steel bolts, nuts and lock-washers

MAXIMUM SIZE

Unlimited, structural bracing supplied by others

MAXIMUM FACTORY ASSEMBLY SIZE

60" x 120" or vice versa

MINIMUM SIZE

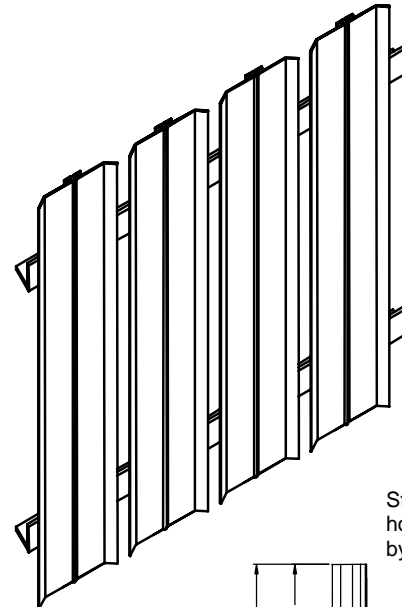
12" x 12"

UNDERSIZED

1/4" under ordered size unless specified Exact or Actual

FINISH

Mill



Steel supports horizontal or vertical by others

OPTIONAL CONSTRUCTION

SUPPORTS – Available in heavier aluminum gauge and steel

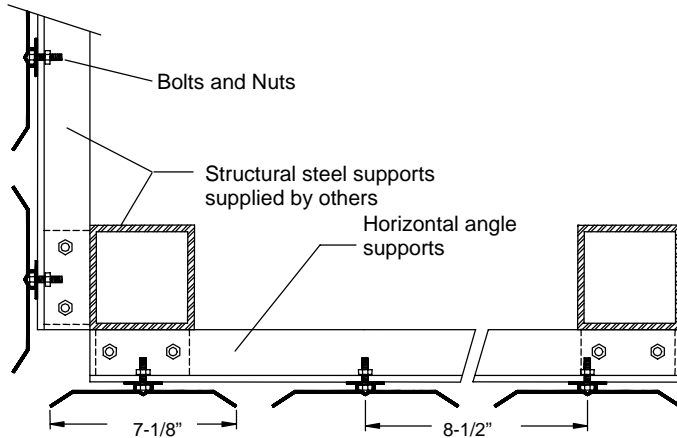
FASTENERS – Available in stainless steel

FINISH – Air-dry primer, polyurethane, epoxy, or enamel, baked epoxy or enamel, Anodized, Kynar, or Powder coat.

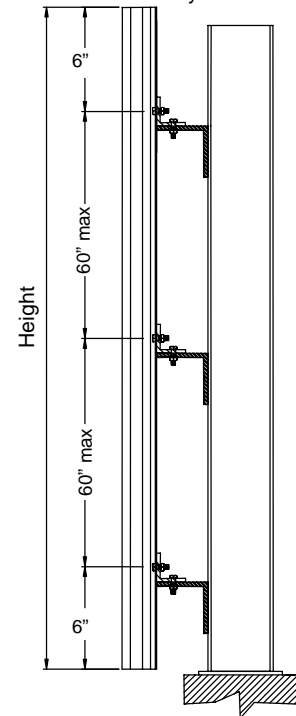
SPECIAL PURPOSE CONSTRUCTION

Special shapes: Triangle, Round, Trapezoid, etc.
Fully welded construction
Hinged as walk through door or swing out access

Free Area (48" x 48") unit
15%



PLAN VIEW



VERTICAL SECTION

DATE	ARCHITECT			CUSTOMER
PROJECT				
ITEM	QTY	W	H	DESCRIPTION



DEPENDABLE PRODUCTS SINCE 1955

SAFE-AIR/DOWCO

Engineering and General Offices

1855 South 54th Avenue, Cicero, Illinois 60804

Phone 708-652-9100 FAX 708-652-9158