

## Architectural Vertical Blade Enclosure - Model GSE-45 series

**Design Features:** Low cost design that provides shading, privacy and security. Attractive enclosure for cooling towers, mechanical equipment and parking structures.

### STANDARD CONSTRUCTION

**BLADES**

1 part blade, .063" extruded aluminum alloy 6063-T5, vertical blade arrangement 3-1/8" minimum to 4-1/8" maximum blade spacing, 3/4" deep

**SUPPORTS:**

2" x 2" x 1/4" extruded aluminum angle alloy 6063-T5

**FASTENERS:**

5/16" dia. x 1" plated steel bolts, nuts and lock-washers

**MAXIMUM SIZE**

Unlimited, structural bracing supplied by others

**MAXIMUM FACTORY ASSEMBLY SIZE**

60" x 120" or vice versa

**MINIMUM SIZE**

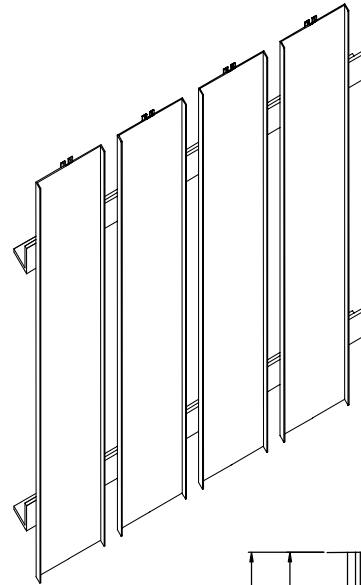
12" x 12"

**UNDERSIZED**

1/4" under ordered size unless specified Exact or Actual

**FINISH**

Mill



### OPTIONAL CONSTRUCTION

**SUPPORTS** – Available in heavier aluminum gauge and steel

**FASTENERS** – Available in stainless steel

**FINISH** – Air-dry primer, polyurethane, epoxy, or enamel, baked epoxy or enamel, Anodized, Kynar, or Powder coat.

### SPECIAL PURPOSE CONSTRUCTION

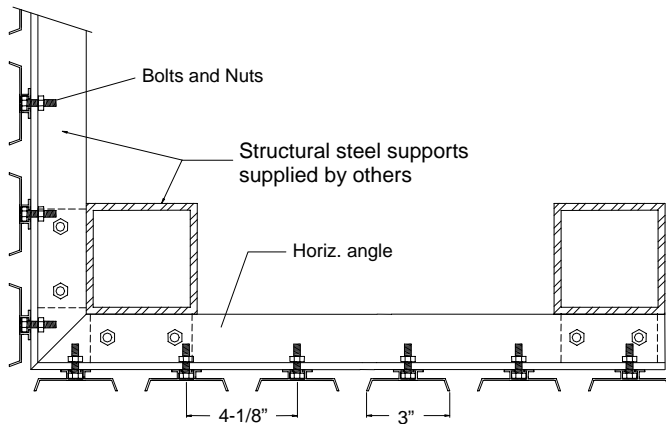
Special shapes: Triangle, Round, Trapezoid, etc.

Fully welded construction

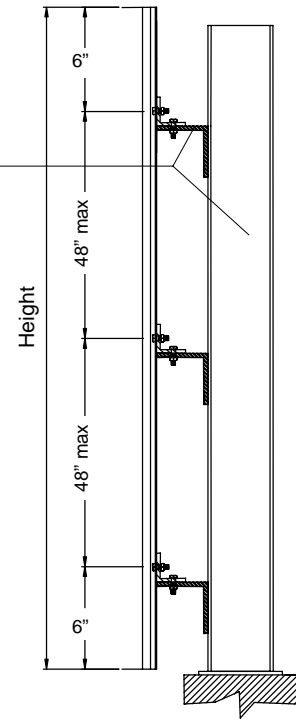
Hinged as walk through door or swing out access

Steel supports horizontal or vertical by others

Free Area (48" x 48") unit 25%



PLAN VIEW



VERTICAL SECTION

DATE	ARCHITECT			CUSTOMER
PROJECT				
ITEM	QTY	W	H	DESCRIPTION