

Heavy Duty Industrial Round Damper – Model HTR-3

STANDARD CONSTRUCTION

FRAME

Steel channel, dimensions vary according to size, see chart below

BLADES

Steel, dimensions vary according to size, see chart below

BLADE AXLES & BEARINGS

AXLE – Continuous steel shaft

BEARING – Sleeve type stainless steel

MAXIMUM VELOCITY & STATIC PRESSURE

6000 FPM @ 10" H₂O

MIN. & MAX. TEMPERATURE

-40° F to 250° F

MAXIMUM SIZE

60" Diameter

MINIMUM SIZE

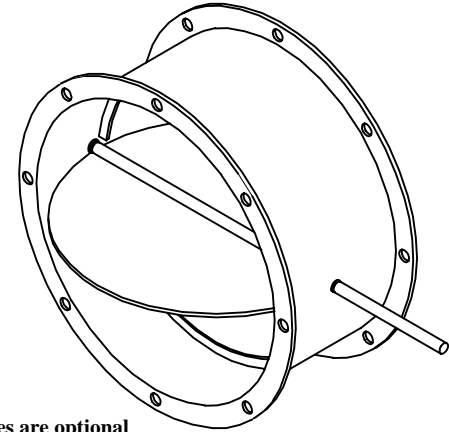
4" Diameter

FINISH

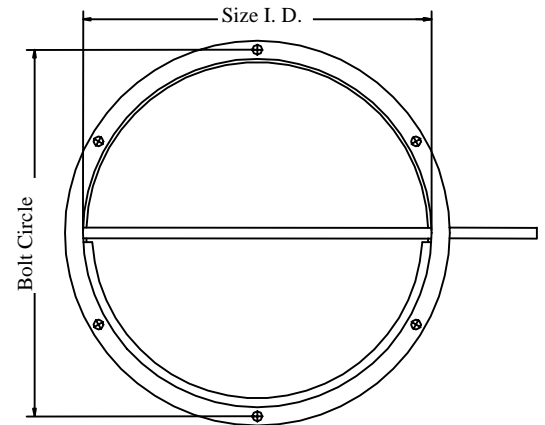
Shop Primer

ACTUATOR

None



Bolt holes are optional



OPTIONAL CONSTRUCTION

SPECIFIED MATERIAL – Available in stainless steel

FINISH – Air-dry primer, polyurethane, epoxy, or enamel. Baked epoxy or enamel. For industrial special purpose coating, please consult Dowco.

BOLT HOLES – Based on standard bolt circles available

ACTUATORS – Manual, Electric, or Pneumatic.

SPECIAL PURPOSE CONSTRUCTION

For higher temperatures and velocities, please consult Dowco.

Size I. D.	Flange to Flange Depth & Thickness	Flange	Blade Thickness	Axle Diameter	Maximum Static Pressure	Maximum Velocity
4" to 9"	6" x 1/8"	1-1/4" x 10ga.	10ga.	1/2"	10" wg.	6000 fpm
>9" to 11"	8" x 1/8"	1-1/4" x 10ga.	10ga.	1/2"	10" wg.	6000 fpm
>11" to 14"	8" x 1/8"	1-1/2" x 10ga.	10ga.	1/2"	8" wg.	6000 fpm
>14" to 24"	8" x 3/16"	1-1/2" x 10ga.	10ga.	3/4"	8" wg.	6000 fpm
>24" to 32"	8" x 3/16"	2" x 3/16"	10ga.	3/4"	8" wg.	5000 fpm
>32" to 44"	8" x 3/16"	2" x 3/16"	10ga.	3/4"	6" wg.	4000 fpm
>44" to 48"	8" x 3/16"	2" x 3/16"	10ga.	1"	6" wg.	4000 fpm
>48" to 52"	8" x 3/16"	2" x 3/16"	10ga.	1"	6" wg.	4000 fpm
>52" to 60"	8" x 3/16"	2-1/2" x 1/4"	1/4"	1"	6" wg.	4000 fpm

DATE		ARCHITECT / ENGINEER			CUSTOMER	
PROJECT						
ITEM	QTY	W	H	DESCRIPTION		



DEPENDABLE PRODUCTS SINCE 1955

SAFE-AIR/DOWCO

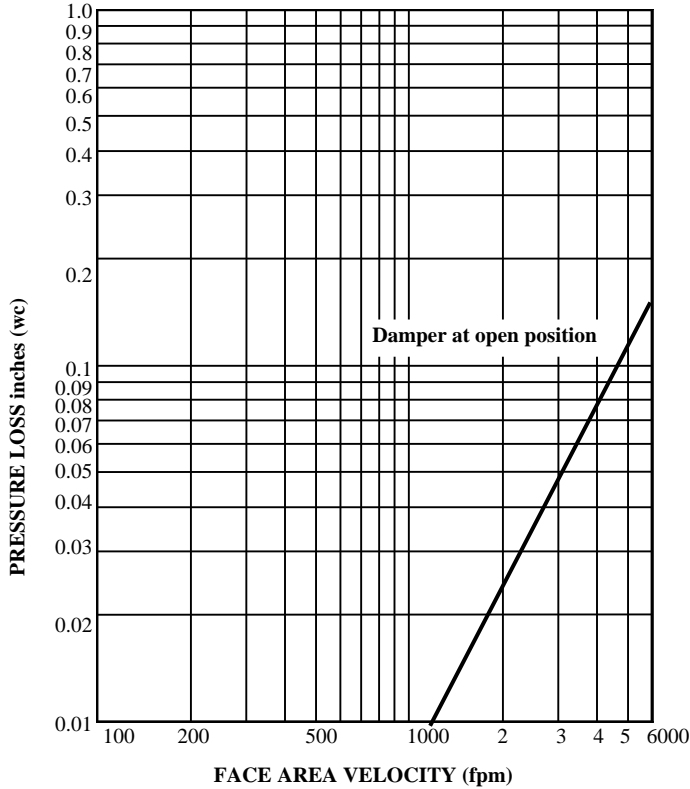
Engineering and General Offices

1855 South 54th Avenue, Cicero, Illinois 60804

Phone 708-652-9100 FAX 708-652-9158

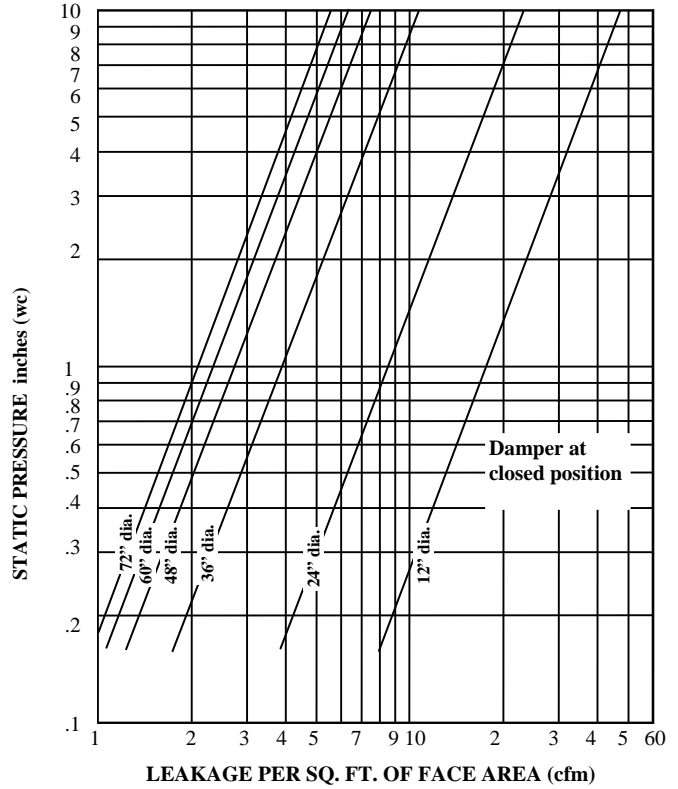
All tests performed at an independent laboratory and based on AMCA standards for air performance.

AIR PERFORMANCE



24" diameter sample tested per AMCA Std. 500, Figure 5.3

AIR LEAKAGE



Size Diameter	Leakage Performance Per SF. Of Face Area	
	Leakage W/seals (CFM)	Leakage w/out seals (CFM)
72	2.1	9.44
60	2.27	11.12
48	2.76	13.52
36	3.92	17.16
24	7.88	26.26
12	18.92	61.78

STANDARD BOLT HOLE PATTERN FOR HEAVY DUTY ROUND DAMPERS				
Order Size (Inches)	Flange (F)	Bolt Size (Diameter)	Number of Holes	Bolt Circle Factor
4 to 5	1"	9/32"	6	1-5/16"
6	1-1/4"	9/32"	6	1-5/16"
7	1-1/4"	3/8"	6	1-1/2"
8	1-1/4"	3/8"	6	1-9/16"
9	1-1/4"	7/16"	6	1-5/8"
10	1-1/4"	7/16"	6	1-13/16"
11	1-1/4"	7/16"	6	1-3/4"
12 to 18	1-1/2"	7/16"	8	2"
19 to 22	1-1/2"	7/16"	12	1-3/4"
23 to 24	1-1/2"	7/16"	12	1-7/8"
25	1-1/2"	7/16"	16	1-7/8"
26 to 36	2"	7/16"	16	2-3/8"
37 to 50	2"	7/16"	24	2-3/8"

- Actual I. D. Size = Order Size + 1/8"
- Actual O. D. Size = Actual I. D. Size + (F x 2)
- Bolt Circles = Order Size + Bolt Circle Factor

Bolt holes start perpendicular to blade axles (12 o'clock)

