

Heavy Duty Industrial Isolation Round Damper – Model HTR-1

Design Features – Heavy-duty industrial round control damper with neoprene seal offers extremely low leakage.

STANDARD CONSTRUCTION

FRAME

Steel channel, dimensions vary according to size, see chart below

BLADES

Steel, dimensions vary according to size, see chart below

BLADE AXLES & BEARINGS

AXLE – Continuous steel shaft

BEARING – 2-bolt flange on standoff bracket with packing gland

BLADE SEAL

Neoprene blade edge seal secured with 12 ga. 1-1/2 ring bolted to blade

MAXIMUM VELOCITY & STATIC PRESSURE

7000 FPM @ 20" H₂O

MIN. & MAX. TEMPERATURE

-40° F to 250° F

MAXIMUM SIZE

72" Diameter

MINIMUM SIZE

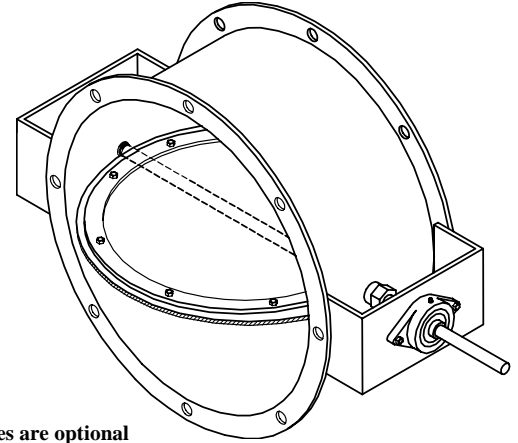
4" Diameter

FINISH

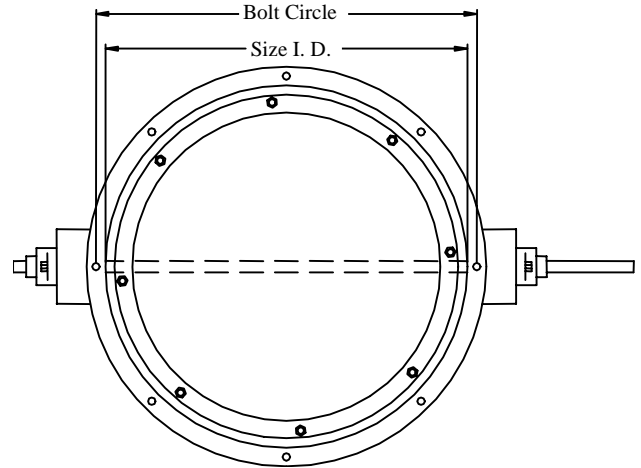
Shop Primer

ACTUATOR

None



Bolt holes are optional



OPTIONAL CONSTRUCTION

SPECIFIED MATERIAL – Available in stainless steel

FINISH – Air-dry primer, polyurethane, epoxy, or enamel. Baked epoxy or enamel. For industrial special purpose coating, please consult Dowco.

BOLT HOLES – Based on standard bolt circles available

ACTUATORS – Manual, Electric, or Pneumatic.

SPECIAL PURPOSE CONSTRUCTION

For higher temperatures and velocities, please consult Dowco.

Size I. D.	Frame Depth & Web Thickness	Flange	Blade Thickness	Axle Diameter	Maximum Static Pressure	Maximum Velocity
4" to 9"	6" x 1/8"	1-1/4" x 1/8"	1/4"	1/2"	20" wg.	7000 fpm
>9" to 11"	9" x 1/8"	1-1/4" x 1/8"	1/4"	3/4"	20" wg.	7000 fpm
>11" to 14"	9" x 1/8"	1-1/2" x 1/8"	1/4"	3/4"	17" wg.	7000 fpm
>14" to 24"	9" x 3/16"	1-1/2" x 3/16"	1/4"	3/4"	17" wg.	7000 fpm
>24" to 32"	12" x 1/4"	2" x 1/4"	1/4"	3/4"	16" wg.	7000 fpm
>32" to 44"	12" x 1/4"	2" x 1/4"	1/4"	1"	16" wg.	7000 fpm
>44" to 48"	12" x 1/4"	2" x 1/4"	1/4"	1-1/2"	15" wg.	7000 fpm
>48" to 52"	12" x 5/16"	2" x 5/16"	3/8"	1-1/2"	15" wg.	7000 fpm
>52" to 72"	12" x 5/16"	2-1/2" x 5/16"	3/8"	2"	15" wg.	7000 fpm

Leakage Performance

Damper Size	Approx. Total Leakage
72"	6.5 cfm
60"	5.3 cfm
48"	4.5 cfm
36"	3.5 cfm
24"	2.1 cfm
12"	1.05 cfm

DATE		ARCHITECT / ENGINEER			CUSTOMER	
PROJECT						
ITEM	QTY	W	H	DESCRIPTION		



DEPENDABLE PRODUCTS SINCE 1955

SAFE-AIR/DOWCO

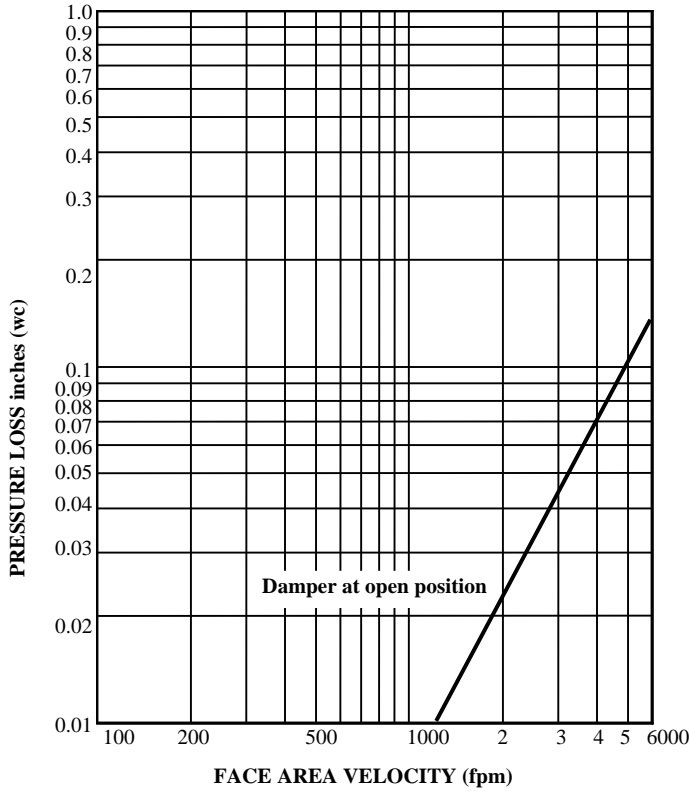
Engineering and General Offices

1855 South 54th Avenue, Cicero, Illinois 60804

Phone 708-652-9100 FAX 708-652-9158

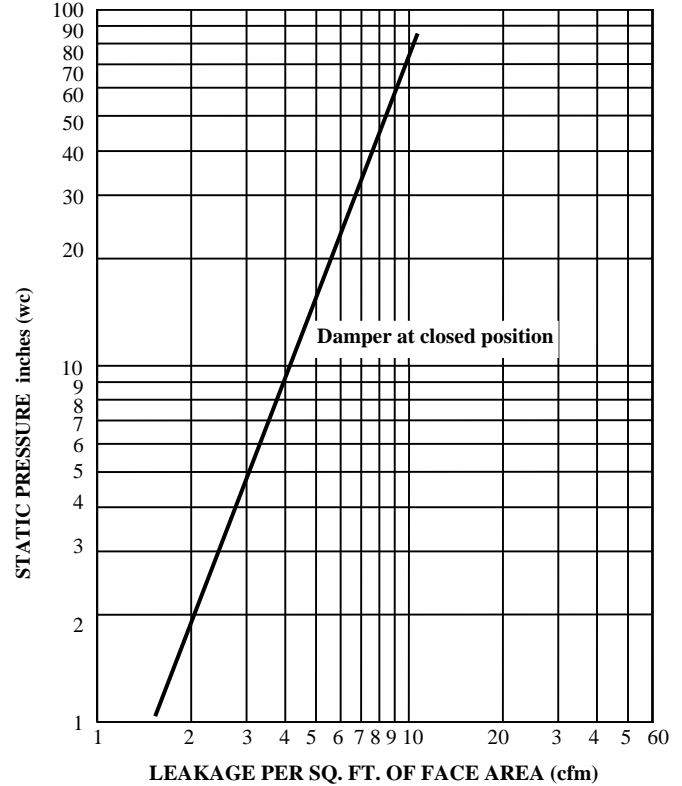
All tests performed at an independent laboratory and based on AMCA standards for air performance.

AIR PERFORMANCE



24" diameter sample tested per AMCA Std. 500, Figure 5.3

AIR LEAKAGE



48" diameter sample tested per AMCA Std. 500, Figure 5.5

STANDARD BOLT HOLE PATTERN FOR HEAVY DUTY ROUND DAMPERS				
Order Size (Inches)	Flange (F)	Bolt Size (Diameter)	Number of Holes	Bolt Circle Factor
4 to 5	1"	9/32"	6	1-5/16"
6	1-1/4"	9/32"	6	1-5/16"
7	1-1/4"	3/8"	6	1-1/2"
8	1-1/4"	3/8"	6	1-9/16"
9	1-1/4"	7/16"	6	1-5/8"
10	1-1/4"	7/16"	6	1-13/16"
11	1-1/4"	7/16"	6	1-3/4"
12 to 18	1-1/2"	7/16"	8	2"
19 to 22	1-1/2"	7/16"	12	1-3/4"
23 to 24	1-1/2"	7/16"	12	1-7/8"
25	1-1/2"	7/16"	16	1-7/8"
26 to 36	2"	7/16"	16	2-3/8"
37 to 50	2"	7/16"	24	2-3/8"

- Actual I. D. Size = Order Size + 1/8"
- Actual O. D. Size = Actual I. D. Size + (F x 2)
- Bolt Circles = Order Size + Bolt Circle Factor

Bolt holes start perpendicular to blade axles (12 o'clock)

