

Static Fire Damper - MODEL 151A

Features – U. L. Rated for 1-1/2 hour fire damper, for use in a 2 hour fire partition.

- Meets NFPA 90A & UL555

STANDARD CONSTRUCTION

FRAME

3-1/2" deep ID, 22 gauge galvanized steel

BLADES

3-3/8" wide, 22 gauge galvanized steel

UNDERSIZED

1/4" under ordered size unless specified otherwise

FUSIBLE LINK

165° Standard (others available)

SPRING

Stainless Steel – 301 Negator type
(standard on horizontal mount only)

MINIMUM SIZE

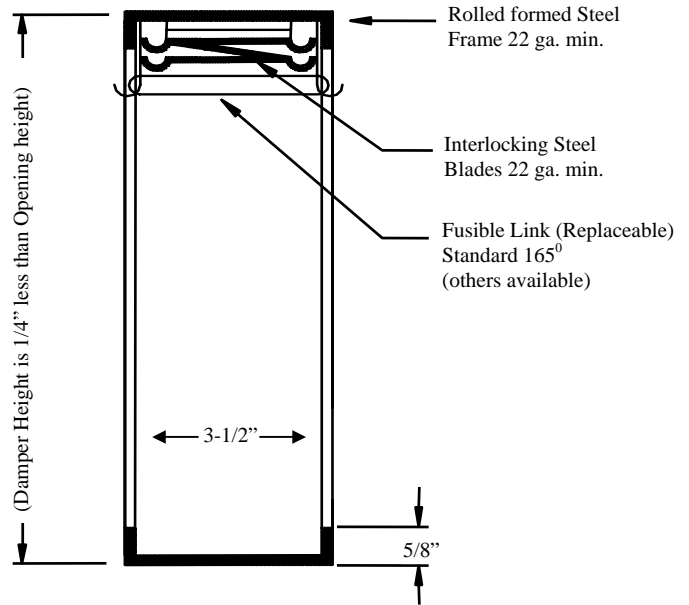
4"w x 4"h

MAXIMUM SIZE

Vertical – 60"w x 60"h
Horizontal – 48"w x 48"h



03225-0751-001



OPTIONAL CONSTRUCTION

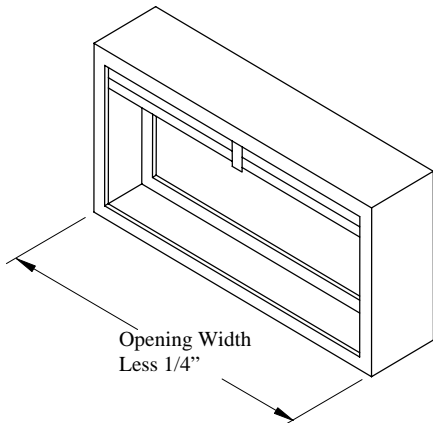
FRAME – Available in Stainless Steel

BLADE – Available in Stainless Steel

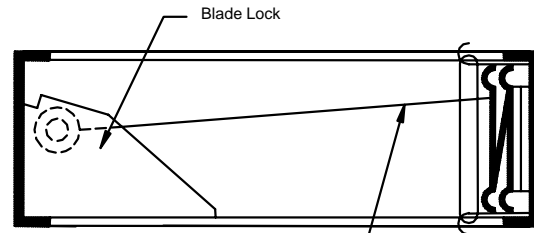
FUSIBLE LINK – Electrically triggered link (ETL)

SLEEVE & DUCT CONNECTION – 10 ga. to 20 ga. galvanized steel to 30" in length. – transitions available in; round, oval, rectangular, or custom. Factory can install access door, retaining angles, flange connections or security bars.

Consult Factory Regarding Multiple Sections



Vertical Section



Horizontal Section

DATE		ARCHITECT		CUSTOMER	
PROJECT					
ITEM	QTY	W	H	DESCRIPTION	