

## Ceiling Radiation Fire Damper - Model 410A

**Features** – U. L. Rated for 4 hour ceiling fire damper – Classified for use in a 4 hour fire rated ceiling. (Not rated for UL wood truss ceiling design) • Meets NFPA 90A & UL555C Requirements

### STANDARD CONSTRUCTION

**FRAME**

4-7/8" deep, 22 gauge galvanized steel

**BLADES**

3-3/8" wide, 22 gauge galvanized steel

**THERMAL FABRIC**

High temperature reinforced fiber

**UNDERSIZED**

1/4" under ordered size unless specified otherwise

**FUSIBLE LINK**

165° Standard (others available)

**SPRING**

Stainless Steel – 301 Negator type

**MINIMUM SIZE**

4" w x 4" h

**MAXIMUM SINGLE SECTION SIZE**

4 Hour rated – 12" w x 12" h

1 Hour rated – 24" w x 24" h

### OPTIONAL CONSTRUCTION

**FRAME** – Available in Stainless Steel

Also available with a narrow 2" thick frame (not shown)

**BLADE** – Available in Stainless Steel

**FUSIBLE LINK** – Electrically triggered link (ETL)

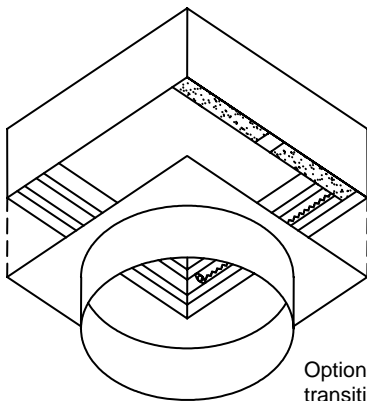
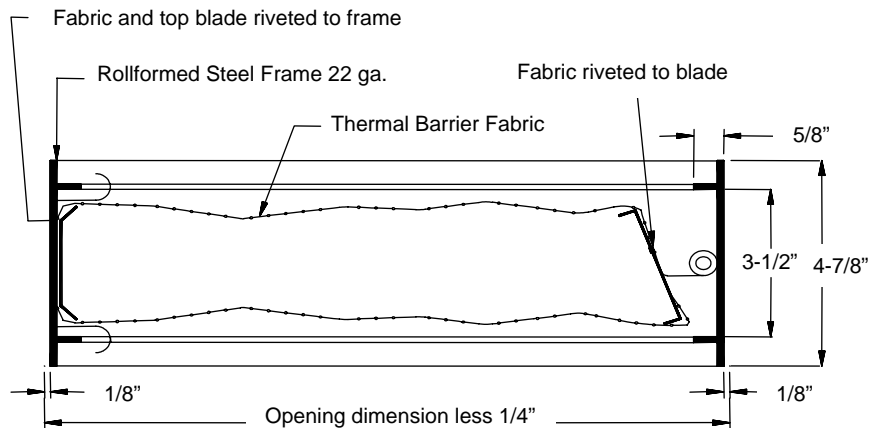
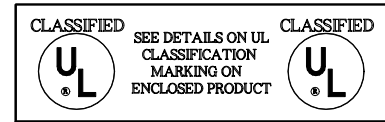
**410 A-2** – 2" Frame

**410 B** – "B" pan for 90% free area

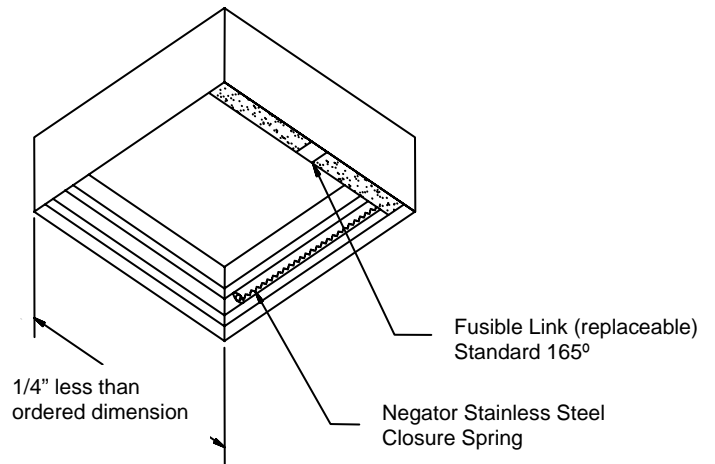
**410 C-1** – Square to round transition (one side)

**410 C-2** – Square to round transition (both sides)

For round transitions the ordered round O.D. dimension dictates the dampers finished size. To the O.D. dimension, please add 2" to the width and height of the damper.



Optional Square to Round transition (others available)



Fusible Link (replaceable) Standard 165°

Negator Stainless Steel Closure Spring

1/4" less than ordered dimension

DATE		ARCHITECT		CUSTOMER	
PROJECT					
ITEM	QTY	W	H	DESCRIPTION	



DEPENDABLE PRODUCTS SINCE 1955

**SAFE-AIR/DOWCO**

Engineering and General Offices

1855 South 54<sup>th</sup> Avenue, Cicero, Illinois 60804

Phone 708-652-9100 FAX 708-652-9158