

CONTROL DAMPER - MODEL 612R

Design Features – Economical round single blade control damper.

STANDARD CONSTRUCTION

FRAME

8" deep, 16 gauge galvanized steel

BLADES

16 gauge galvanized steel

BLADE AXLES & BEARINGS

AXLE – 7/16" Plated hex

BEARINGS – Bronze oil impregnated

LINKAGE

Drive blade has a 1" to 3-1/2" extendable shaft to mount operator

MAXIMUM VELOCITY & STATIC PRESSURE

2000 FPM @ 4" H₂O

MAXIMUM SIZE

24" diameter

MINIMUM SIZE

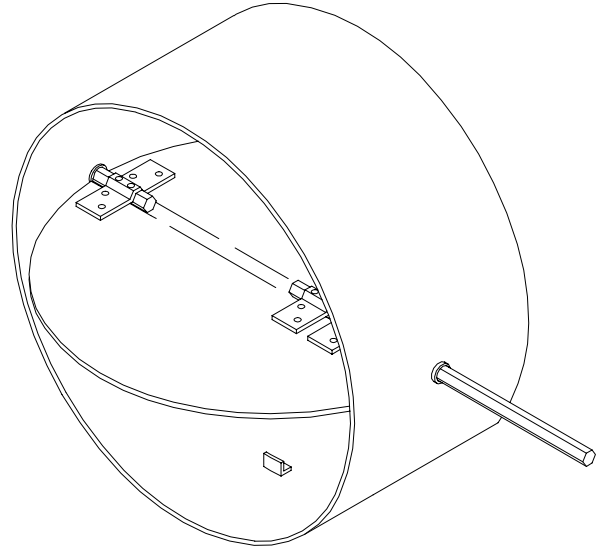
4" diameter

UNDERSIZED

1/8" under ordered size unless specified Exact or Actual

FINISH

Mill



OPTIONAL CONSTRUCTION

FRAME – Available in heavier galvanized steel construction up to 10 gauge

BLADES – Available in heavier galvanized steel construction up to 14 gauge

SPECIFIED MATERIAL – Available in Stainless, Aluminum or as requested

BLADE SEALS – Polyurethane blade edge seals

JAMB SEALS – 1/4" diameter plated rod

SLEEVE AND DUCTWORK CONNECTION – 10 ga. to 20 ga. galvanized steel to 30" in length. Factory can install access door, retaining angles, or flange connections.

FINISH – Paint is available

OPERATOR – Manual, electric or pneumatic, please consult operator listing

SPECIAL PURPOSE CONSTRUCTION

Fully welded corner assembly

Stand-off bracket for insulated duct application

Direct drive

DATE		ARCHITECT / ENGINEER		CUSTOMER	
PROJECT					
ITEM	QTY	W	H	DESCRIPTION	



DEPENDABLE PRODUCTS SINCE 1955

SAFE-AIR/DOWCO

Engineering and General Offices

1855 South 54th Avenue, Cicero, Illinois 60804

Phone 708-652-9100 FAX 708-652-9158