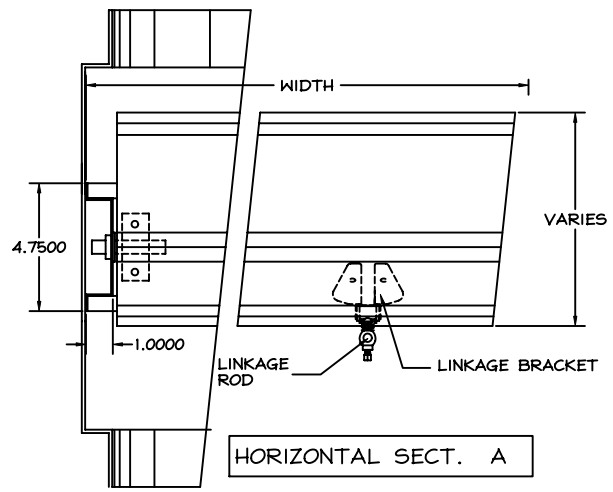
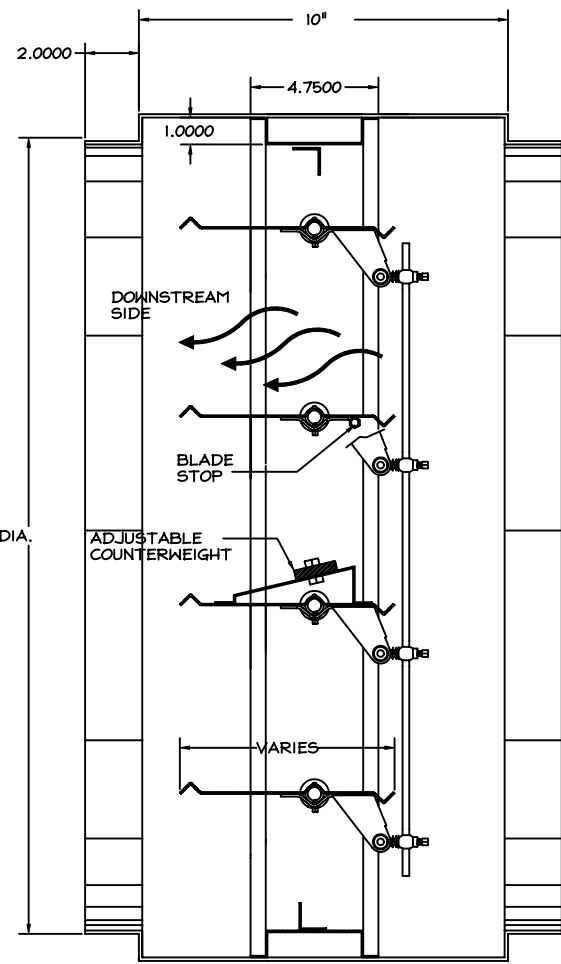


18 GA. 304 SSSL.

ELEVATION @ UPSTREAM SIDE



HORIZONTAL SECT. A



VERTICAL SECT. B

STANDARD CONSTRUCTION
 MODEL: S-BRL-209X
 FRAME: 16 GA. (304) SSSL. CONST.
 BLADES: 18 GA. (304) SSSL. , WIDTH VARIES IN HEIGHT
 BLADE AXLES AND BEARINGS:
 AXLES - 1/2" DIA. PLATED SHAFT
 BEARINGS - 1/2" BORE BALL BEARINGS
 LINKAGE: PLATED STEEL, MOUNTED AT THE CENTER POINT OF BLADE
 COUNTER WEIGHT: ADJUSTABLE, 16 GA. SST. BRACKET
 FINISH: NATURAL MILL
 SEALS: NEOPRENE FOAM AND JAMB SEALS.

- NOTES:
 1. ALL DAMPERS TO BE FABRICATED 1/4" UNDER LISTED OPNG SIZES UNLESS OTHERWISE SPECIFIED "ACTUAL".
 2. ALL OPNG SIZES TO BE FIELD VERIFIED AND GUARANTEED BY OTHERS PRIOR TO FABRICATION.

DAMPER SCHEDULE
 TAG QTY OPNG SIZE (W X H)

BRL SQUARE TO ROUND

SAFE-AIR  **DOWCO**  DEPENDABLE PRODUCTS SINCE 1965
 1855 SOUTH 54TH AVENUE, CICERO, IL. 60650

ARCH/ENGR. CUSTOMER:
 O.J. & C COMPANY

REV.	DESCRIPTION	DATE	BY	PROJECT:	TITLE:
				DATE: 1/22/01	DRNG #:
				DRAWN: JN	
				CHKD:	