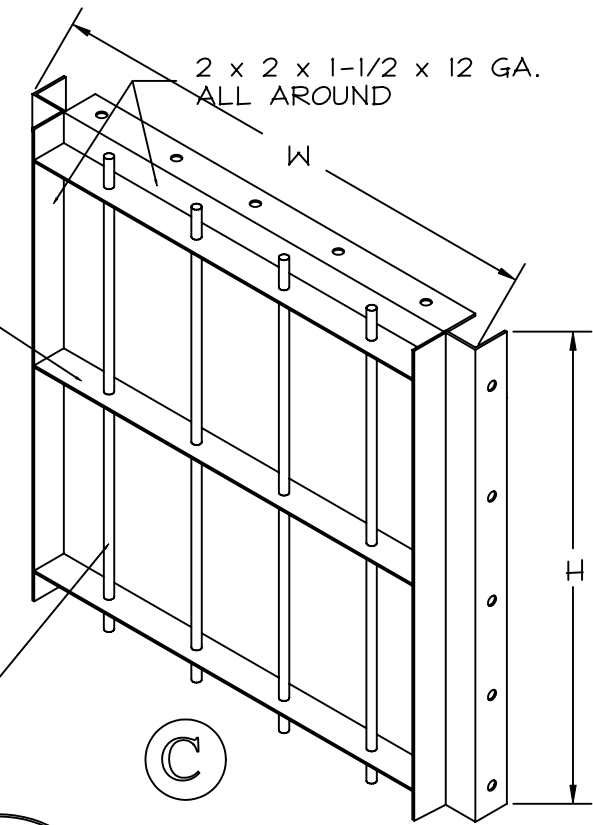


2 X 12GA.  
HOR. STIFFENER  
@ 24" OC.(MAX)

2 X 12GA.  
HOR. STIFFENER  
@ 24" OC.(MAX)

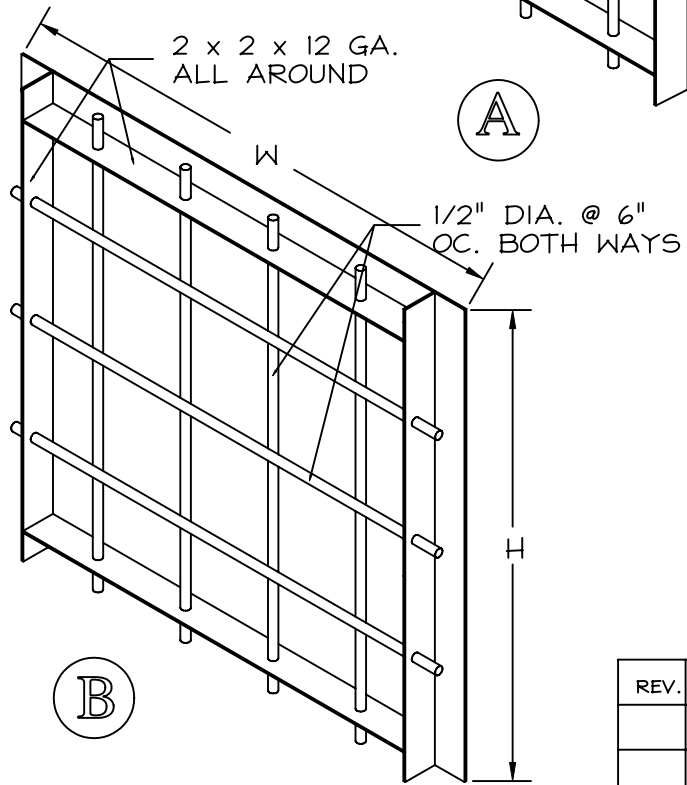
1/2" DIA.  
@ 6" OC.

(A)



1/2" DIA.  
@ 6" OC.

(C)



(B)

CONSTRUCTION  
FRAME: 12 GA. STEEL  
BARS: 1/2" DIA. STD. CR STEEL  
ASSEMBLY: WELDED CONSTRUCTION  
FINISH: PRIME COAT

**SAFE-AIR**  
**DOWCO**



DEPENDABLE PRODUCTS  
SINCE 1955  
708-652-9100 FAX-652-9158  
1855 SOUTH 54TH AVENUE, CICERO, IL. 60650

ARCH/ENGR:

CUSTOMER:

REV.	DESCRIPTION	DATE	BY

PROJECT:

DATE: 6/30/98

DRAWN: J N

CHKD:

TITLE:  
**BURGLAR BARS**

DRWG #: