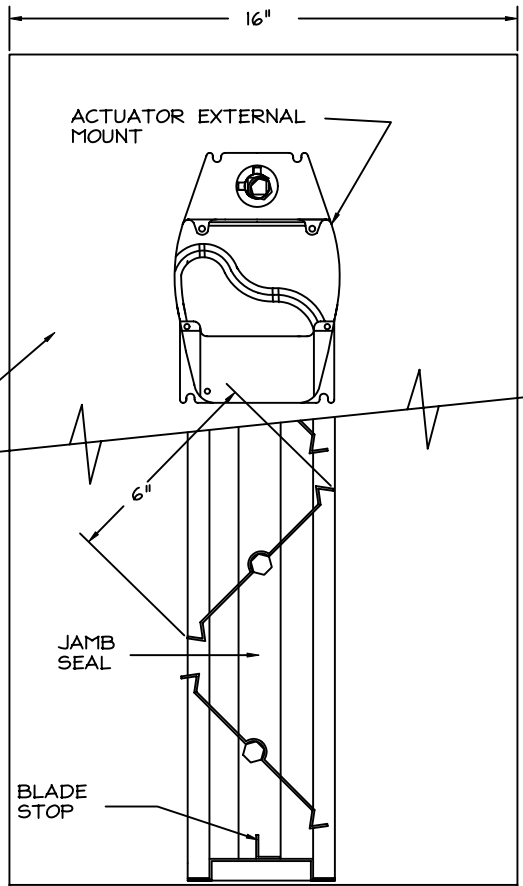
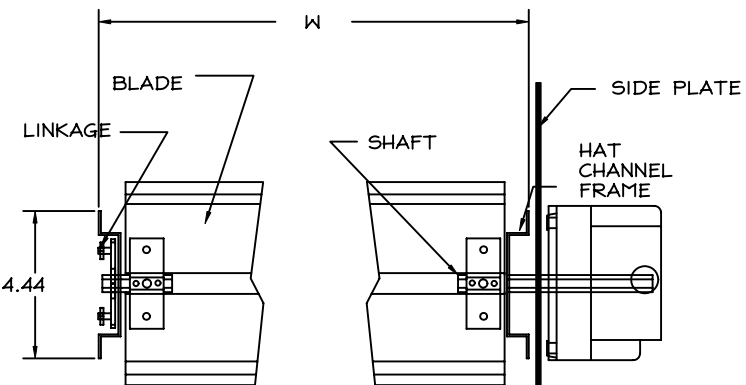


ELEVATION



VERT. SECTION



HOR. SECTION

STANDARD CONSTRUCTION  
 MODEL: AVO-207-OX  
 FRAME: 4-7/16" X 16 GA. GALV. STEEL  
 BLADES: 6" WIDE 16 GA. GALV. STEEL  
 AXLES: 7/16" PLATED HEX  
 BEARINGS: BRONZE OIL IMPREGNATED  
 LINKAGE: CONCEALED IN JAMB, PLATED STEEL  
 SEALS: NEOPRENE BLADE EDGE SEAL AND ALUM. JAMB SEAL  
 OPERATOR: ML4115 HONEYWELL EXTERNAL MOUNT  
 FINISH: NATURAL MILL

- NOTES:
1. ALL DAMPERS TO BE FABRICATED 1/4" UNDER LISTED SIZES UNLESS OTHERWISE SPECIFIED "ACTUAL".
  2. ALL OPENING SIZES TO BE FIELD VERIFIED BY OTHERS PRIOR TO FABRICATION.
  3. THIS DRAWING IS FOR INFORMATION ONLY, ACTUAL CONSTRUCTION MAY VARY ACCORDING TO SIZE.

DAMPER SCHEDULE  
 TAG QTY OPNG SIZE (W x H) NOTES



ARCH/ENGR: CUSTOMER:

REV.	DESCRIPTION	DATE	BY	PROJECT:	TITLE:
				DATE:	DRAWN: JN
					CHKD:
					DRAWG #: