

**Dynamic Curtain Fire Damper - MODEL D-150C-RC**

**Features** – U. L. Rated for 1-1/2 hour fire damper, for use in a 2 hour fire partition. • Meets NFPA 90A & UL555

**STANDARD CONSTRUCTION**

**FRAME**

4-7/8" deep, 22 gauge galvanized steel

**BLADES**

3-3/8" wide, 22 gauge galvanized steel

**UNDERSIZED**

1/4" under ordered size unless specified otherwise

**FUSIBLE LINK**

165° Standard (others available)

**SPRING**

Stainless Steel – 301 Negator type

**MINIMUM SIZE**

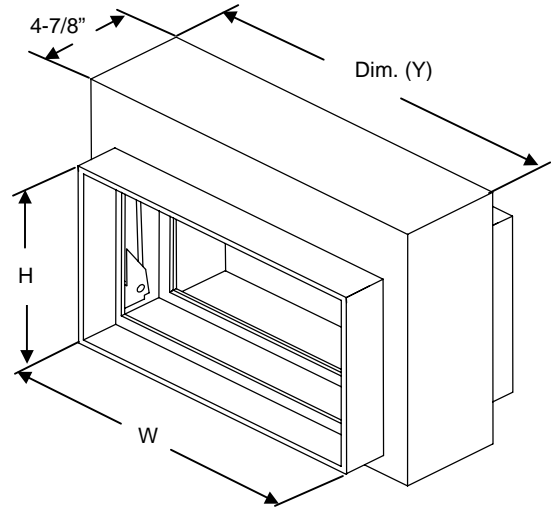
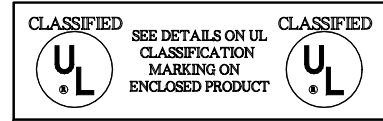
4" w x 4" h

**MAXIMUM SIZE**

22" w x 20" h (Duct Size)

**MAXIMUM STATIC PRESSURE (damper closed)**

4" WG @ 3000 FPM



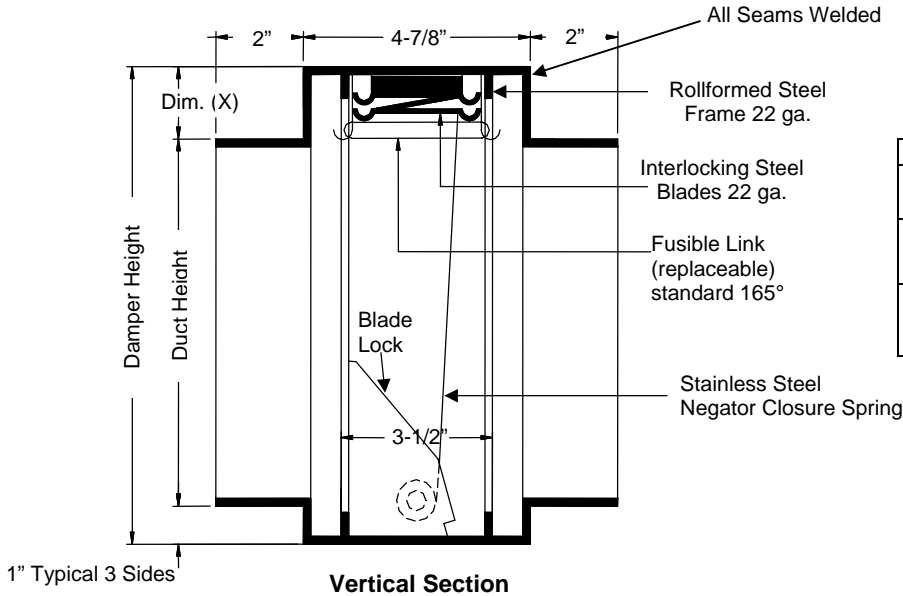
**OPTIONAL CONSTRUCTION**

**FRAME** – Available in Stainless Steel

**BLADE** – Available in Stainless Steel

**FUSIBLE LINK** – Electrically triggered link (ETL)

**SLEEVE & DUCT CONNECTION** – 10 ga. to 20 ga. galvanized steel to 30" in length. – transitions available in; round, oval, rectangular, or custom. Factory can install access door, retaining angles, flange connections or security bars.



Damper Height		
Duct Height	Dim. (X)	Dim. (Y)
4" thru 15"	2"	W + 2"
16" thru 20"	3"	W + 2"

DATE		ARCHITECT		CUSTOMER	
PROJECT					
ITEM	QTY	W	H	DESCRIPTION	



DEPENDABLE PRODUCTS SINCE 1955

**SAFE-AIR/DOWCO**

*Engineering and General Offices*

1855 South 54<sup>th</sup> Avenue, Cicero, Illinois 60804

Phone 708-652-9100 FAX 708-652-9158