

**Dynamic Curtain Fire Damper - MODEL D-300-12CRD, 14CRD, 16CRD**

**Features** – U. L. Rated for 3-hour fire damper, for use in a 4-hour fire partition. • Meets NFPA 90A & UL555 Meets California State Fire Marshal Requirements.

**STANDARD CONSTRUCTION**

**FRAME AND SLEEVE**

- 300-12CRD 12" x 20 gauge galvanized steel
- 300-14CRD 14" x 20 gauge galvanized steel
- 300-16CRD 16" x 20 gauge galvanized steel

**BLADES**

- 3-3/8" wide 22 gauge galvanized steel

**UNDERSIZED**

- 1/4" undersize unless specified otherwise

**FUSIBLE LINK**

- 165° standard (others available)

**SPRINGS**

- Stainless steel – 301 Negator type

**MAXIMUM SINGLE SECTION**

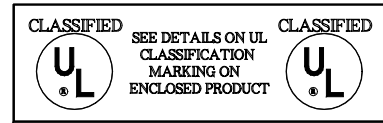
- 24" w x 24" h (Single Round Sections are 21" Diameter)

**MINIMUM SIZE**

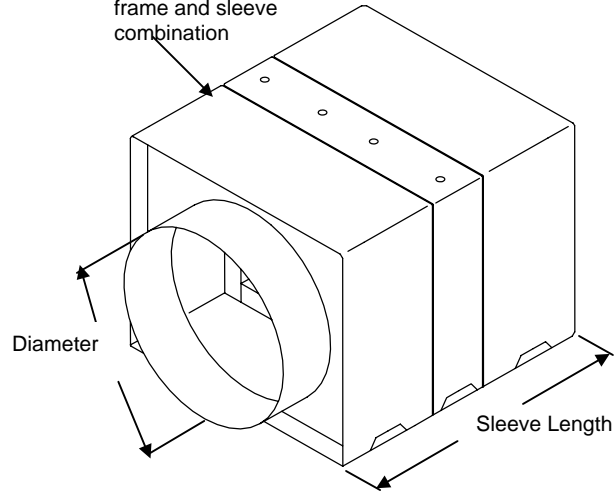
- 6" w x 7" h (Single Sections are 4" Diameter)

**MAXIMUM STATIC PRESSURE**

- 4" WG @ 2000 FPM



Damper is a roll formed 20 ga. steel frame and sleeve combination



**OPTIONAL CONSTRUCTION**

**WELDED CONSTRUCTION**

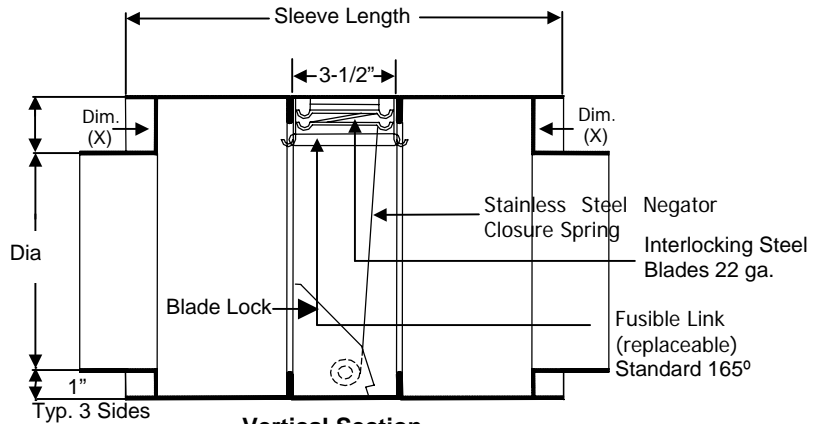
**"D" STYLE** – Low Pressure applications

**RETAINING ANGLES** – Shipped loose

**SECURITY BARS** – Mounted in sleeve

**FUSIBLE LINK** – Electrically triggered link (ETL)

Duct Diameter	Dim. (X)
4" thru 15"	2"
16" thru 21"	3"



**Vertical Section**  
(Not available in horizontal)

DATE		ARCHITECT		CUSTOMER	
PROJECT					
ITEM	QTY	W	H	DESCRIPTION	



DEPENDABLE PRODUCTS SINCE 1955

**SAFE-AIR/DOWCO**

*Engineering and General Offices*

1855 South 54<sup>th</sup> Avenue, Cicero, Illinois 60804

Phone 708-652-9100 FAX 708-652-9158