

**Vision Proof Louver Screen in 4" & 6" deep - Model IEC-04 & IEC-06**

**Design Features** – Inverted 45° angle straight blade design ideal for concealing mechanical equipments.

**STANDARD CONSTRUCTION**

ALL MATERIAL – EXTRUDED ALUMINUM 6063-T5 (KB-45)

**BLADES**

4" (102) deep, .081" (2.1) extruded aluminum, approx spacing is 5" (127) o.c. @ 45°  
 6" (152) deep, .081" (2.1) extruded aluminum, approx spacing is 7" (178) o.c. @ 45°

**SUPPORTS**

Blades are snapped-in (locked) into .125" (3.2) thick extruded aluminum blade braces and mechanically secured to 2" (51) x 2" (51) x 1/4" (6) extruded aluminum angle @ maximum 60" (1524) on centers.

**FASTENERS**

Plated steel, tek screw

**MAXIMUM SIZE**

Unlimited, with mullions, structural bracing supplied by others

**MAXIMUM FACTORY ASSEMBLY SIZE**

120" w x 84" h or 84" w x 120" h (3048 x 2134) or (2134 x 3048)  
 (allows for best handling)  
 (Type of finish may limit maximum single section)

**MULLION**

Invisible

**MINIMUM SIZE**

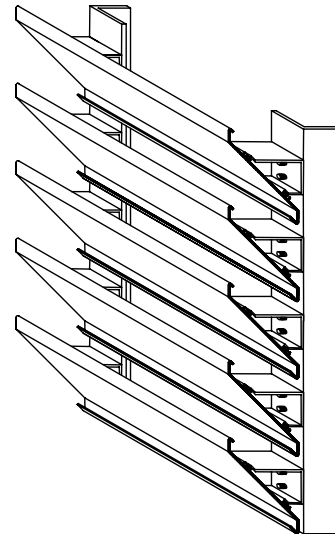
12"w x 12"h (305 x 305)

**UNDERSIZED**

1/4" (6) under ordered size unless specified Exact or Actual

**FINISH**

Mill



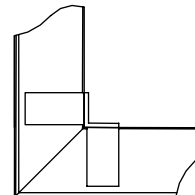
**OPTIONAL CONSTRUCTION**

**BLADES AND SUPPORTS** - Available in heavier extruded gauge

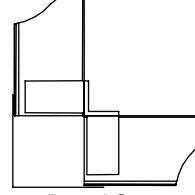
**FINISH** – Air-dry primer, polyurethane, epoxy, or enamel, baked epoxy or enamel, Kynar, or Powder coat.

**MULLION** – Visible for architectural preference

**CORNERS** – Mitered or Box



Mitered Corner



Boxed Corner

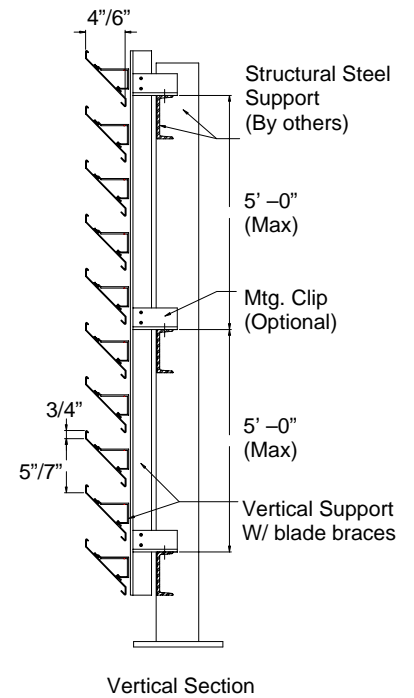
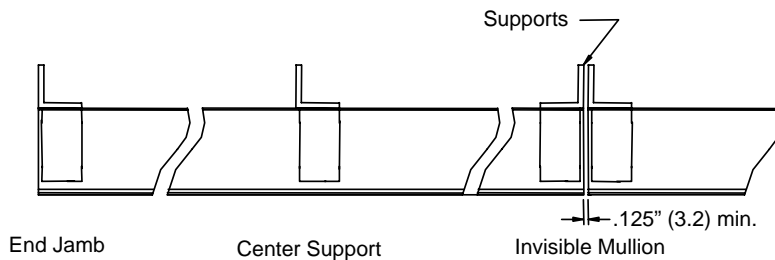
**SPECIAL PURPOSE CONSTRUCTION**

Special shapes: Triangle, Round, Trapezoid, etc.

Fully welded construction

Security bars

Hinged as walk through door or for swing out for access



DATE	ARCHITECT			CUSTOMER
PROJECT				
ITEM	QTY	W	H	DESCRIPTION



DEPENDABLE PRODUCTS SINCE 1955

**SAFE-AIR OF ILLINOIS INC.**

Engineering and General Offices

1855 South 54<sup>th</sup> Avenue, Cicero, Illinois 60804

Phone 708-652-9100 FAX 708-652-9158