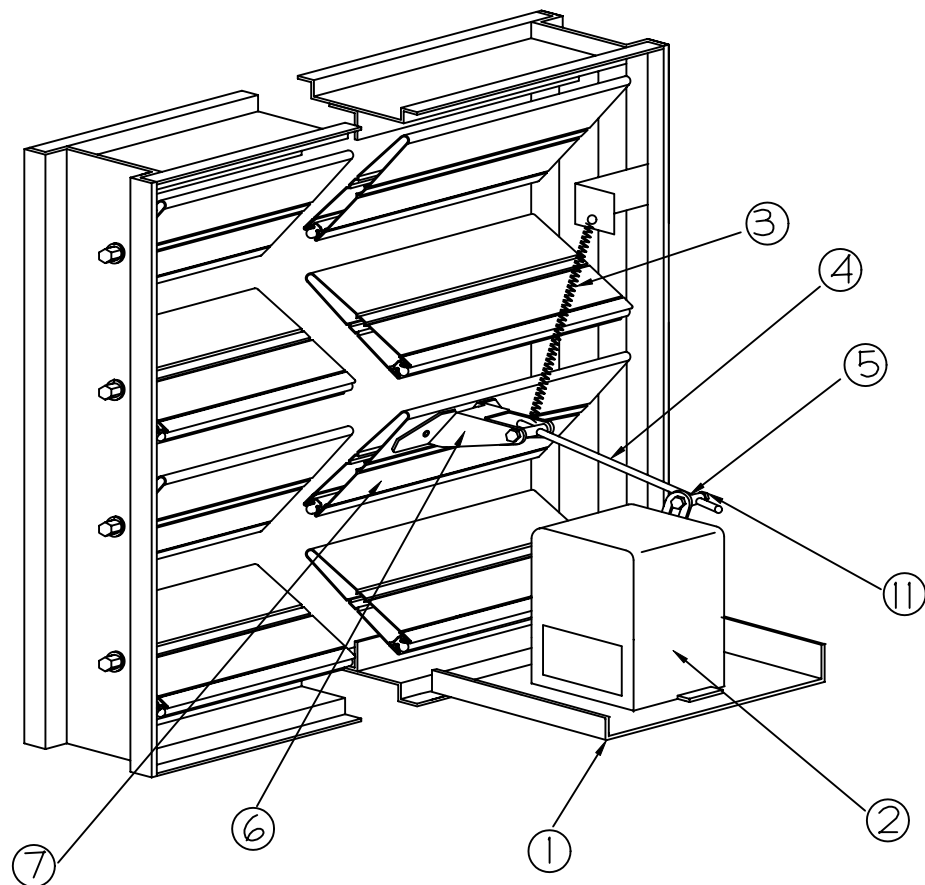


EXTERNAL



INTERNAL

LEGEND:

- ① MOTOR MTG BRACKET
- ② MP-1630
- ③ SPRING
- ④ 5/16" DIA. ROD
- ⑤ CRANK ARM
- ⑥ BLADE BRACKET
- ⑦ DRIVING BLADE
- ⑧ DRIVING SHAFT
- ⑨ LEVER ARM
- ⑩ STAND-OFF BRACKET
- ⑪ SWIVEL
- ⑫ SIDE PLATE

NOTE:  
SAFE AIR RESERVE THE RIGHT  
TO MODIFY ABOVE DETAIL WITH  
NEW DESIGN.

SAFE-AIR



DEPENDABLE PRODUCTS  
SINCE 1955

DOWCO

708-652-9100 FAX-652-9158  
1855 SOUTH 54TH AVENUE, CICERO, IL. 60650

ARCH/ENGR:

CUSTOMER:

REV.	DESCRIPTION	DATE	BY

PROJECT:

MP-1630 SERIES

TITLE:

DATE:

8/9/99

DRAWN:

JN

CHKD:

DRWG #: