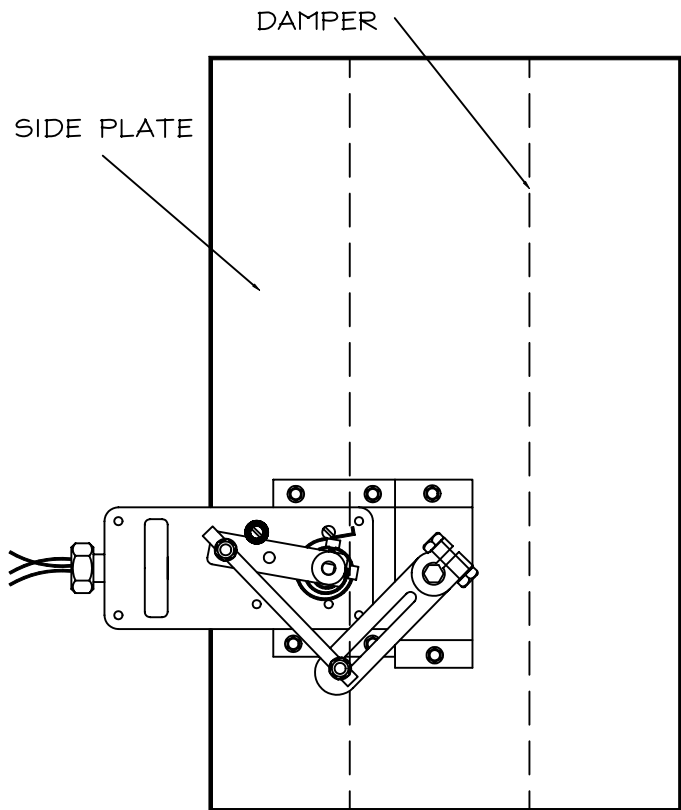
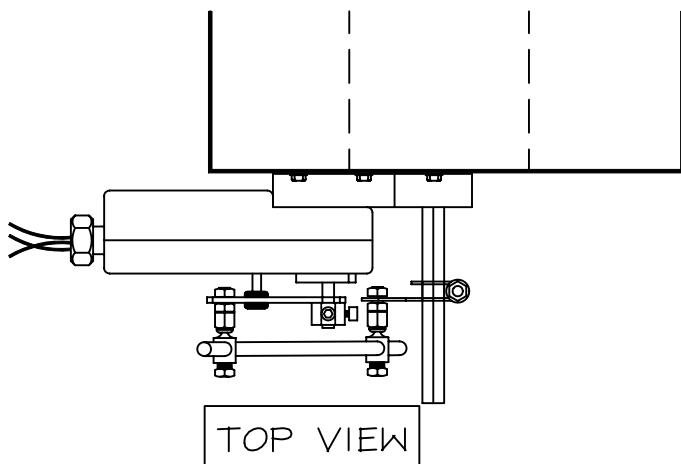


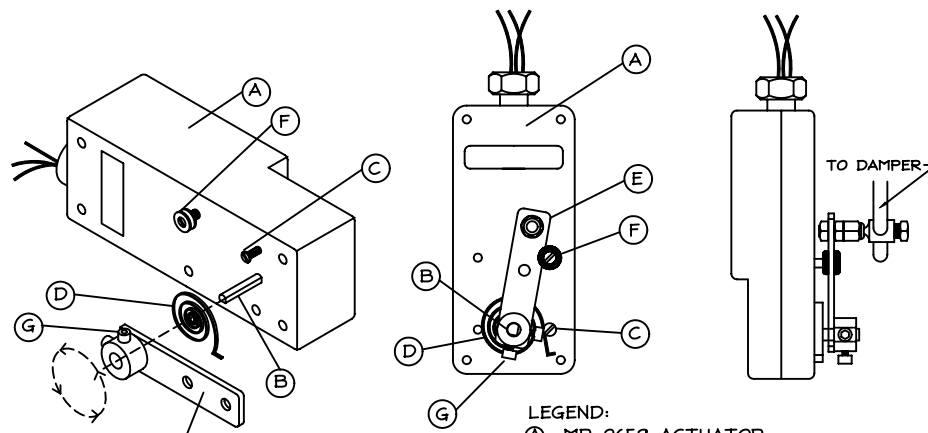
ACTUATOR ASSEMBLY DETAILS



SIDE VIEW SET-UP @ CLOSED POS.



TOP VIEW



- LEGEND:
- (A) MP-2659 ACTUATOR
 - (B) ACTUATOR SHAFT
 - (C) 1" LONG LIMIT SCREW
 - (D) COIL SPRING
 - (E) CRANK ARM
 - (F) RUBBER STOP W/ SCREW
 - (G) SET SCREWS

1. SET LIMIT SCREW (C) TO ACTUATOR (A) AS SHOWN ABOVE
2. SLIP SPRING (D) OVER ACTUATOR SHAFT (B) AND HOOK IT UP TO LIMIT SCREW WITH ENOUGH PRESSURE TO THE SHAFT TO CLOSE THE UNIT
3. SLIP CRANK ARM (E) OVER ACTUATOR SHAFT, SLIDE ALL THE WAY DOWN TO REST AGAINST COIL SPRING.
4. SET THE DAMPER AT FULLY CLOSED WHILE CRANK ARM IS RESTING ON RUBBER STOP, THEN TIGHTEN SET SCREWS (G) ON ACTUATOR SHAFT.

NOTE: THIS SET UP IS BASED ON POWER OPEN (CCW), SPRING TO CLOSE (NORMALLY CLOSED)

DOWCO DEPENDABLE PRODUCTS SINCE 1955

1855 SOUTH 54TH AVENUE, CICERO, IL. 60650

ARCH/ENGR:	CUSTOMER:
------------	-----------

REV.	DESCRIPTION	DATE	BY	PROJECT:	TITLE:
				MP-2659	
				DATE: 2/27/98	
				DRAWN: JN	DRWG #: D-333
				CHKD:	