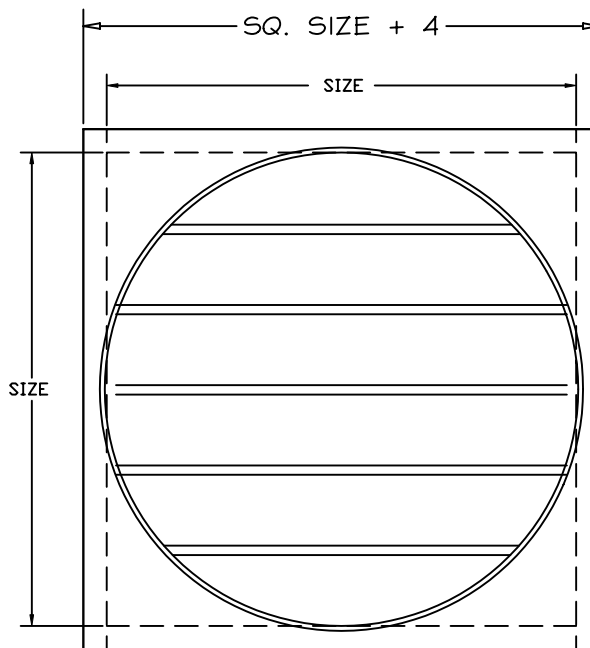
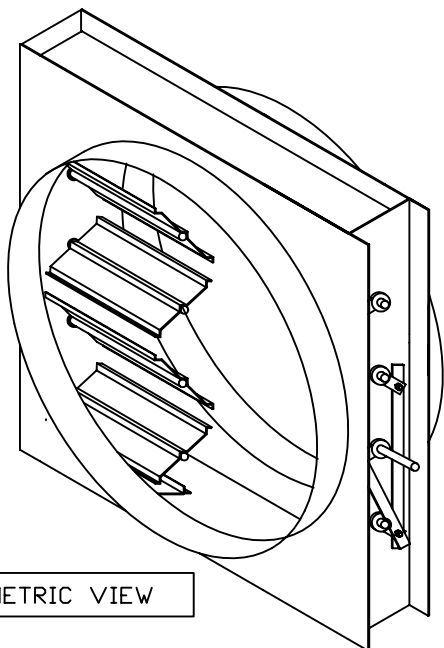


VERT. SECT.



FRONT ELEVATION



ISOMETRIC VIEW

SQUARE TO ROUND

DAMPER SCHEDULE

TAG	QTY	SIZE (W X H)

NOTE: ALL DIMENSIONS ARE MEASURED INSIDE (I.D.) PLUS FLANGE.

CONSTRUCTION

MODEL: ARO/AAO

FRAME: _____

BLADE: _____

BLADE STOPS: _____

BLADE SHAFT: _____

BEARINGS: _____

LINKAGE: _____

BLADE SEAL: _____

JAMB SEAL: _____

FINISH: NATURAL

ACTUATOR: (OPCIONAL) DIRECT DRIVE

SAFE-AIR
DOWCO



DEPENDABLE PRODUCTS
SINCE 1955

708-652-9100 FAX-652-9158

1855 SOUTH 54TH AVENUE, CICERO, IL. 60804

ARCH/ENGR:

CUSTOMER:

REV.	DESCRIPTION	DATE	BY	PROJECT:	TITLE:
				DATE: 11/13/99	DRAWN: <u>JN</u> CHKD: _____
					DRWG #: D-522-2