

SUN SHADES – Model SSE-84 / series

Design Features – Helps reduce building energy consumption and prevent the sun penetrating through the building.

STANDARD CONSTRUCTION

OUTRIGGER

4" x 1/4" plate extruded aluminum alloy 6063-T5, Plate - square

BLADES

.081" x 3-7/8" air foil extruded aluminum, alloy 6063-T5

FASCIA

.081" Channel extruded aluminum, alloy 6063-T5

MAXIMUM FACTORY ASSEMBLY SIZE

32" deep x 120"

MINIMUM SIZE

12" x 12"

FASTENERS:

Mechanical type and welded construction

MOUNTING PLATE :

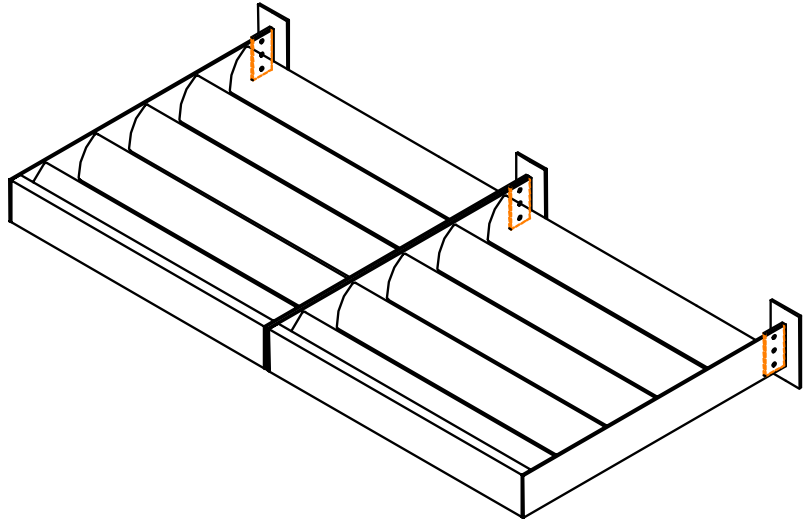
4" x 6" x 1/4" back plate

UNDERSIZED

Actual

FINISH

Mill



OPTIONAL CONSTRUCTION

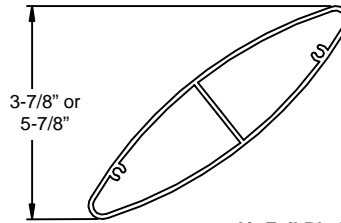
OUTRIGGER – Tube, channel, straight-rounded

BLADES – Many styles available please listing

FASCIA – Channel, plate, bullnose, wedger, rectangular

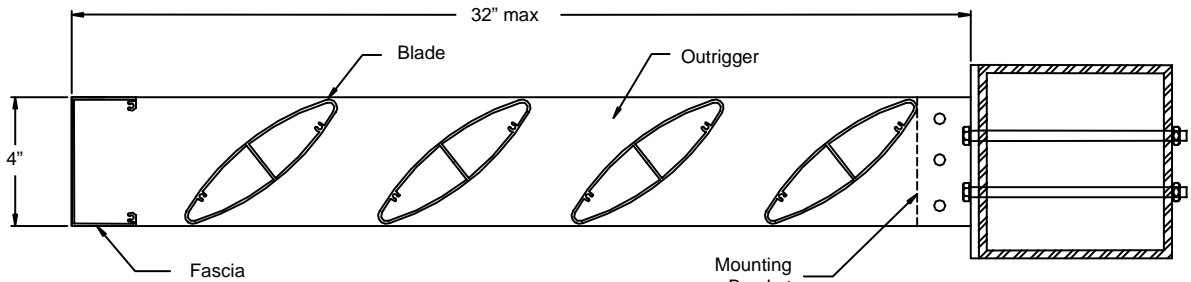
MOUNTING: Boot bracket, plate attachment, tee-mounting bracket

FINISH – Air-dry primer, polyurethane, epoxy, or enamel, baked epoxy or enamel, Anodized, Kynar 500, or Powder coat.



Air Foil Blade Options

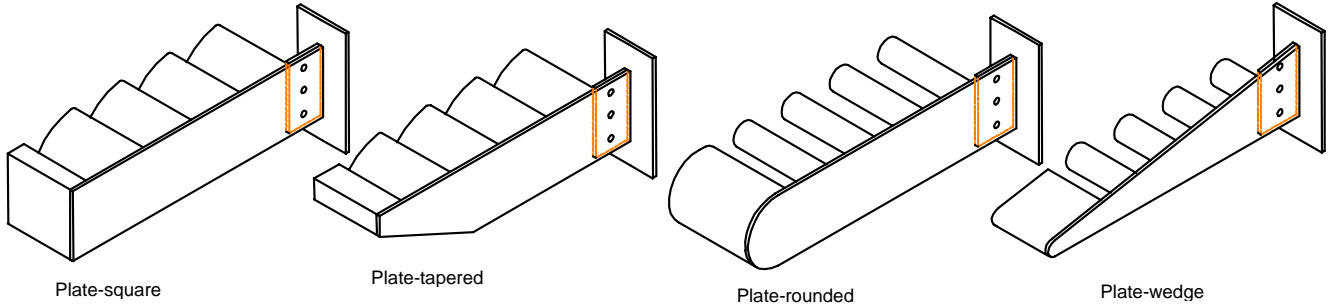
Model	Blades	Outrigger
SSE-84	3-7/8"	1/4" x 4"
SSE-86	5-7/8"	1/4" x 6"



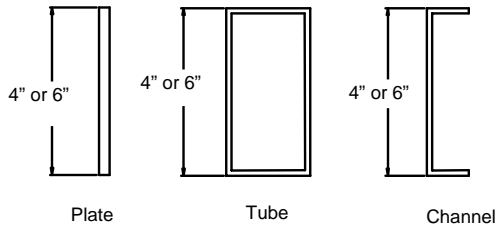
Typical Section

DATE	ARCHITECT			CUSTOMER
PROJECT				
ITEM	QTY	W	H	DESCRIPTION

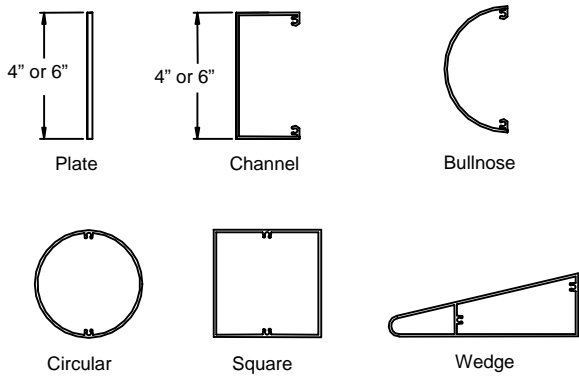
SUN SHADES – Model SSE-84 / series



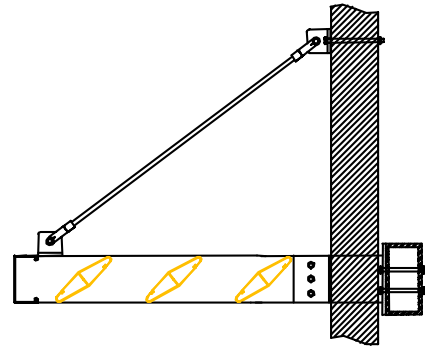
Outrigger Options



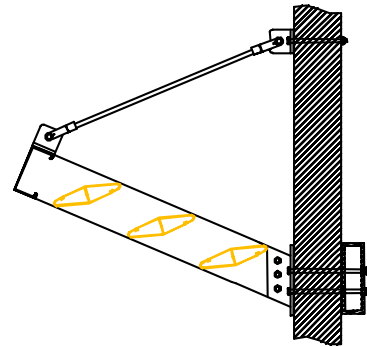
Outrigger Profile Options



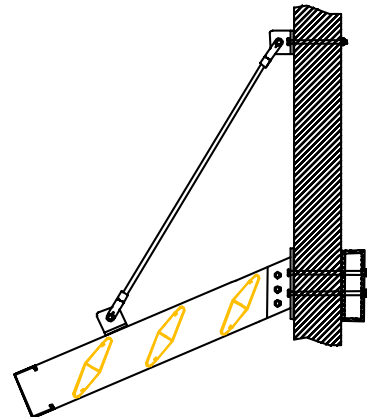
Fascia Options



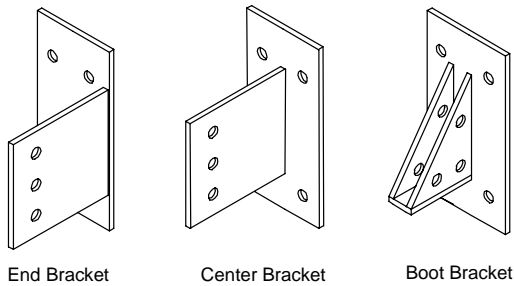
Suspension Rod (over 32" deep)



Suspension Rod, Tilted 20 deg. Upward



Suspension Rod, Tilted 20 deg. Downward



Mounting Bracket Options