

Walk-In Doors

Design Features – Walk-in doors are designed to withstand up to 10" w.g. Low leakage of less than .09 cfm/perimeter inch.

FRAME

16 ga. Galvanized Steel

HANDLE SUPPORTS

16 ga. galvanized Steel

DOOR

22 ga. Galvanized Steel

INSULATION

1" thick Fiberglass

GASKETS

Neoprene

LATCHES

Zinc plated continuous

MAXIMUM SIZE

24"W x 72"H

MINIMUM SIZE

18"W x 36"H

HINGE

Continuous piano hinge

SEE-THRU MODELS

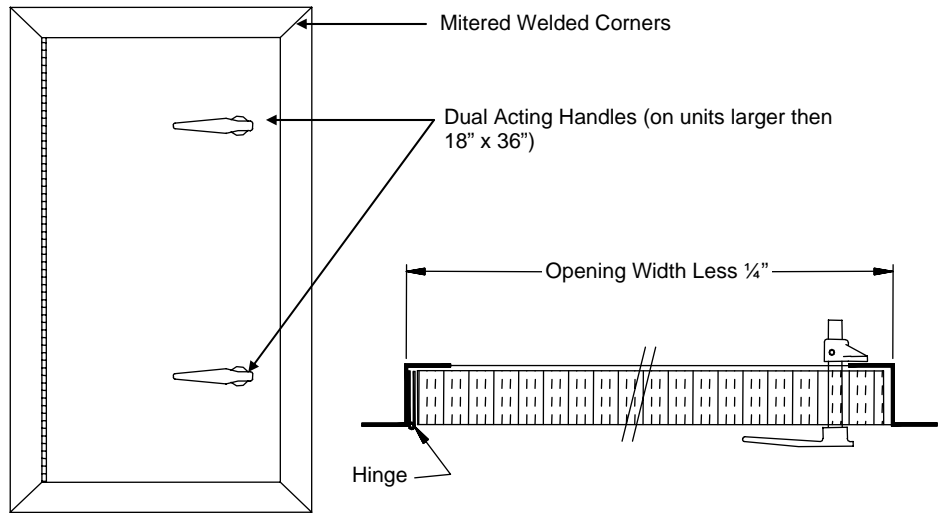
or double pane glass (G)

or double pane plexiglass (P)

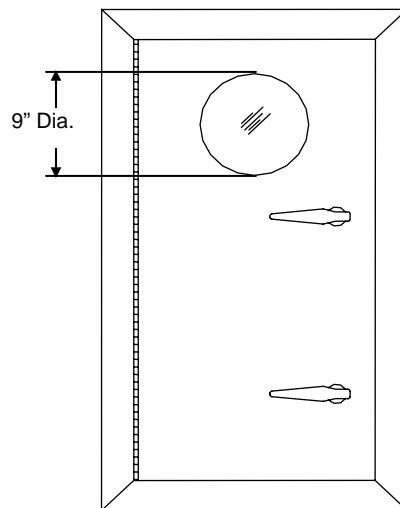
or double pane wire glass (W)

FINISH

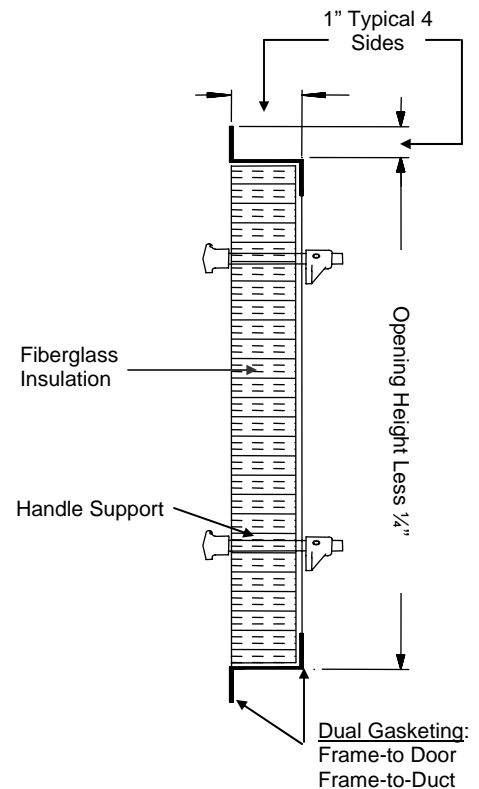
Mill



Model SAW



Model SAW - G/P/W



DATE	ARCHITECT			CUSTOMER
PROJECT				
ITEM	QTY	W	H	DESCRIPTION