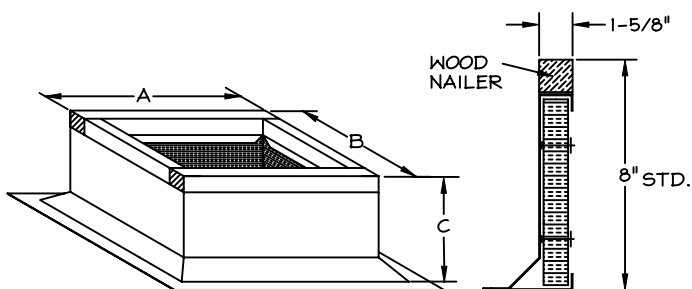
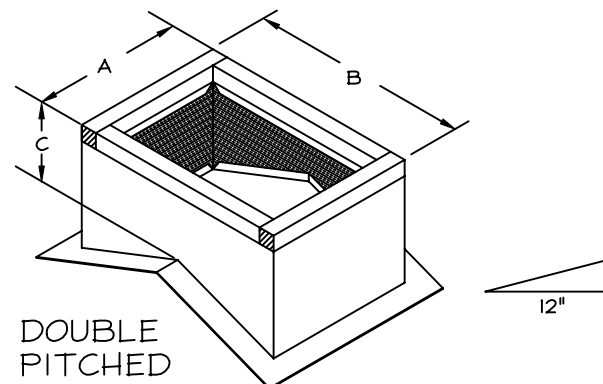


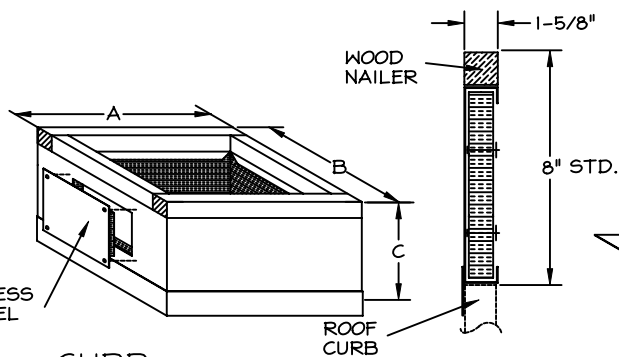
STD.
CURB (CURB1)



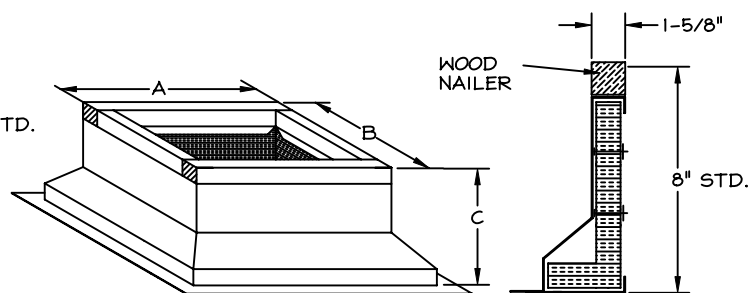
STD.
W/ CANT (CURB2)



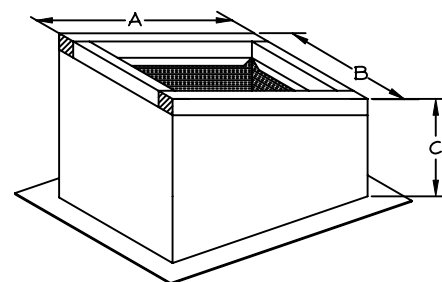
DOUBLE
PITCHED
(CURB4)



CURB
EXTENSION
(CURB6)



RAISED
CANT (CURB3)



(CURB5) SINGLE
PITCH

STANDARD CONSTRUCTION

- 18 GA. GALV. STEEL
- SEMI-RIGID FIBERGLASS INSULATION
- 1-5/8" X 1-5/8" WOOD NAILER
- FULLY WELDED ASSEMBLY

NOTE:
ROOF CURBS ALSO AVAILABLE IN HEAVIER
GAUGE STEEL OR ALUMINUM



DEPENDABLE PRODUCTS
SINCE 1955

708-652-9100 FAX-652-9158

1855 SOUTH 54TH AVENUE, CICERO, IL. 60650

ARCH/ENGR:

CUSTOMER:

REV.	DESCRIPTION	DATE	BY	PROJECT:	TITLE:
				DATE:	DRAWN: JN
				CHKD:	DRWG #: