

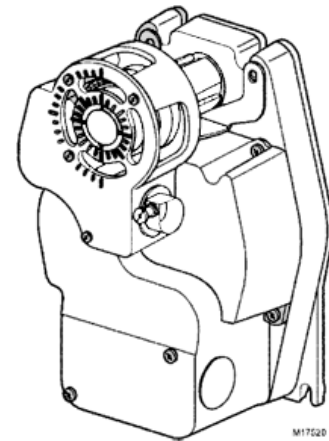
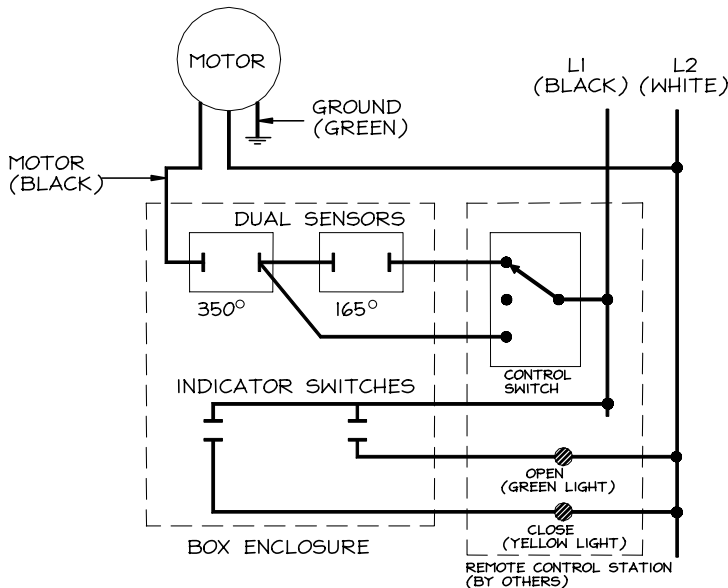
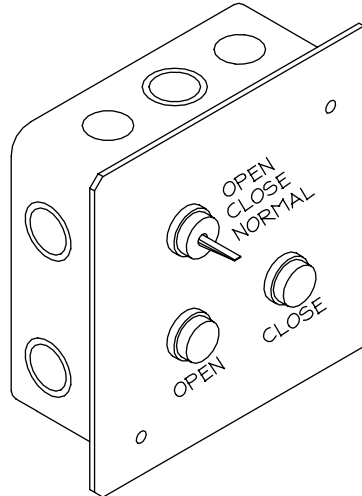
## MONITORING STATION

**Features:** Monitoring station features a three-position control switch used in dynamic smoke management systems for fire and smoke dampers.

**Open position** – the damper opens and will remain in the open position until the sensor sends a signal for the damper to close and lock.

**Closed position** – the damper closes and will remain in the closed position until the sensor is reset.

**Normal position** – the damper will remain in the open position until closed by elevated temperatures in excess of 160° F, 240° F or 350° F.



**WIRING DIAGRAM FOR DUAL SENSORS AND INDICATOR SWITCHES**

DATE	ARCHITECT / ENGINEER			CUSTOMER
PROJECT				
ITEM	QTY	W	H	DESCRIPTION