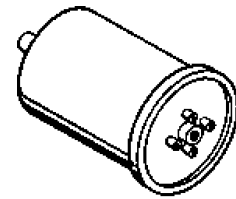


SIEMENS

Powers™ Controls

No. 3 Pneumatic Damper Actuator



Basic Actuator

Specifications

Effective Diaphragm Area.....	8 in ² (51.6 cm ²)
Stroke	2-3/4 inches (70 mm)
Housing (totally enclosed)	Aluminum
Stem	Plated steel
Diaphragm	Ozone resistant rubber
Spring.....	Steel
Bearing.....	Delrin
Maximum Air Pressure	30 psig (210 kPa)
Nominal Spring Ranges	Refer to Table 1
Operating Temperature	-20 to 160°F
.....	(-29 to 71°C)
Air Connection	
.....	Straight barb fitting for 1/4" OD plastic tubing installed in 1/8" NPT opening
Type of Mounting	Fixed or pivot
Thrust and Torque Rating	Refer to Table 2

Shipping Weight

Basic Actuator.....	1.3 lbs. (0.58 kg)
Actuator with Extended Shaft Mounting.....	3.1 lbs. (1.4 kg)
Actuator with Fixed Bracket	2.5 lbs. (1.1 kg)
Actuator with Fixed Bracket and Clevis.....	2.7 lbs. (1.2 kg)
Actuator with Extended Shaft Mounting and Positioning Relay.....	4.8 lbs. (2.2 kg)

Dimensions

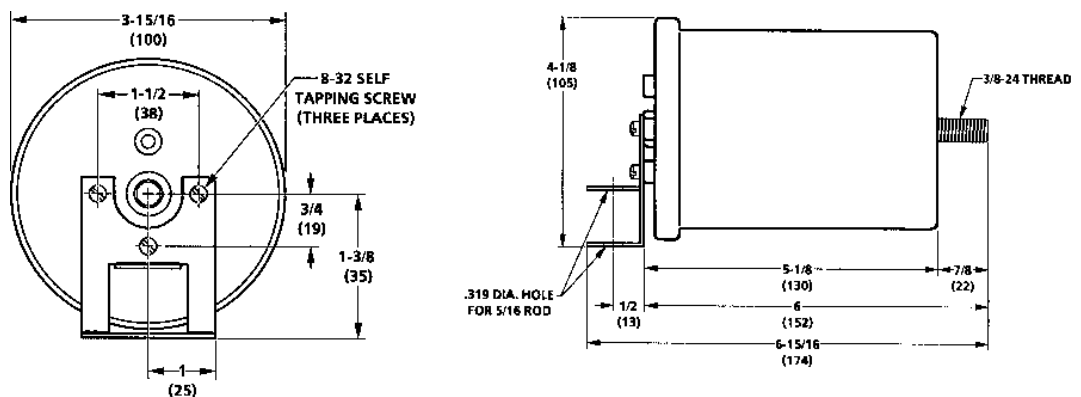


Table 2. Thrust Torque Ratings

Nominal Spring Range	Maximum Thrust lb (N)				Torque Rating lb/in (Nm)		
	Full Stroke Forward			Spring Return (No Stroke) 0 psig (0 kPa)	Gradual Operation	2-Position Operation	
	15 psi (103 kPa)	18 psi (124 kPa)	25 psi (172 kPa)			18 psi (124 kPa)	25 psi (172 kPa)
3 To 7 psi (21 to 48 kPa)	64 (285)	88 (391)	144 (641)	24 (107)	10 (1.1)	20.2 (2.3)	20.2 (2.3)
5 to 10 psi (35 to 69 kPa)	40 (178)	64 (285)	120 (534)	40 (178)	10 (1.1)	33.6 (3.8)	33.6 (3.8)
8-13 psi (55 to 90 kPa)	16 (71)	40 (178)	96 (427)	64 (285)	10 (1.1)	33.6 (3.8)	53.8 (6.1)