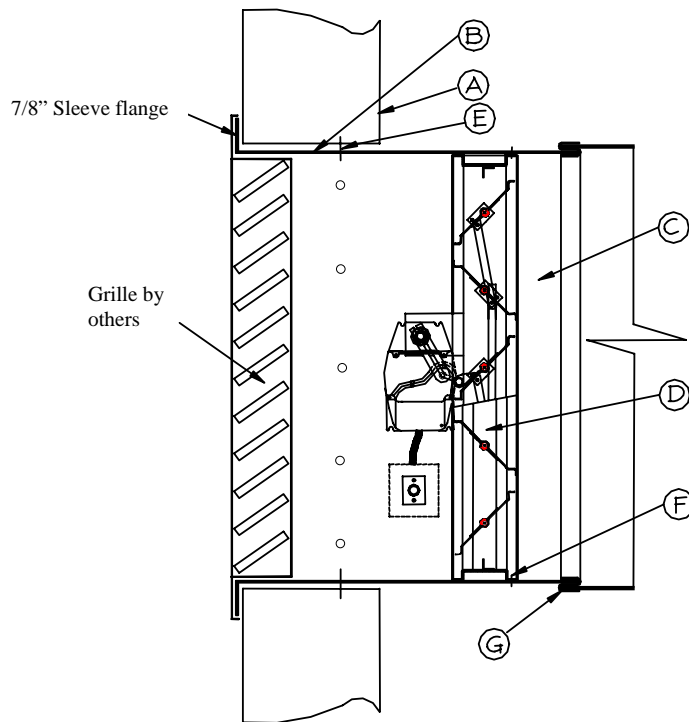


## FIRE / SMOKE DAMPER - MODEL 771-772-OP- METAL STUD OR BLOCK WALL INSTALLATION INSTRUCTIONS



**Vertical Mount**

**WALL OPENING**  
**OPENING MUST BE 3/8"**  
**OVERSIZED TO ACCOMODATE**  
**BLANKET THICKNESS**

### Typical Installation Details

- (A) Wall Opening
- (B) Clearance  
(see Note 1 below)
- (C) Steel sleeve: See sleeve schedule
- (D) Approved Fire Damper (curtain or blade type)
- (E) Secure retaining angles to sleeve only, 8" on centers with # 10 steel self-tapping screws
- (F) Secure damper to sleeve 8" on centers with:
  - ◆ 1/2" long Welds, or
  - ◆ 1/4" bolts and nuts in holes provided, or
  - ◆ No. 10 steel screws, or
  - ◆ Minimum 3/16" steel rivets
- (G) Connect ducts to sleeve.

### Notes:

- Damper sleeve clearance within wall opening.
- 1. Clearance requirements for damper sleeve within a wall opening is based on 1/8 inch per foot of width (or height) unless otherwise stated in the listing of the assembly. The sleeve may rest on the bottom of the opening, and need to be centered, not to exceed 3/8". (Fractional dimensions shall be taken as the next largest whole foot.)
- 2. The sleeve is retained in the wall opening by the use of # 10 plated steel self-tapping screws at 8" oc.
- 3. The dimensions required for the opening shall be those remaining after the opening has been framed and fire resistive materials provided were required. The fire resistive materials shall be equal to the requirements for fire resistive materials used in the constructed wall so that a continuous rating exists at the wall penetration. The contractor erecting the wall is responsible for providing the fire resistive material and correct size openings to achieve the required clearance.
- 4. Wood stud opening, must be covered in metal or min of 5/8" sheet rock at flange end of damper.

( Damper is set 12 -1/2" from the flange side)