

**SUN SHADES – OPTIONS**

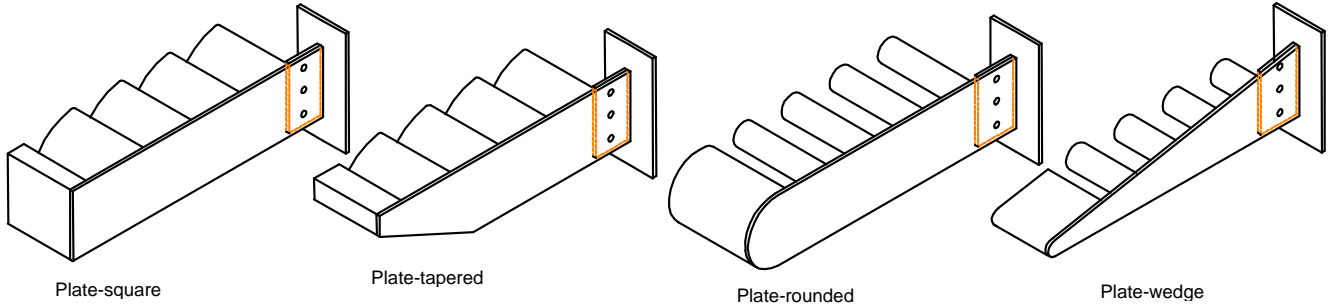


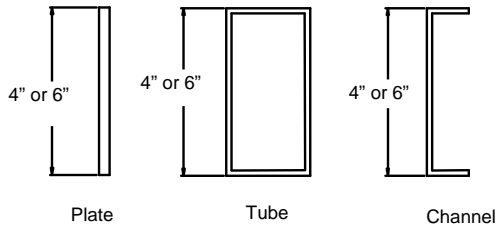
Plate-square

Plate-tapered

Plate-rounded

Plate-wedge

**Outrigger Options**

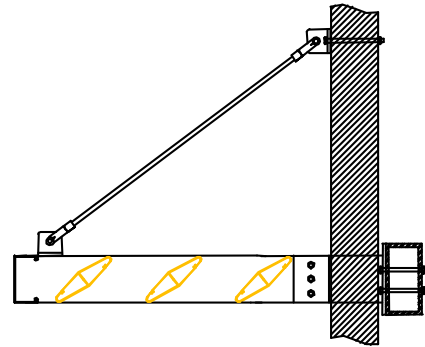


Plate

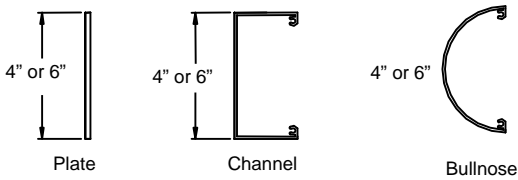
Tube

Channel

**Outrigger Profile Options**



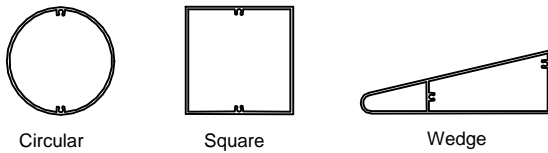
Suspension Rod (over 32" deep)



Plate

Channel

Bullnose

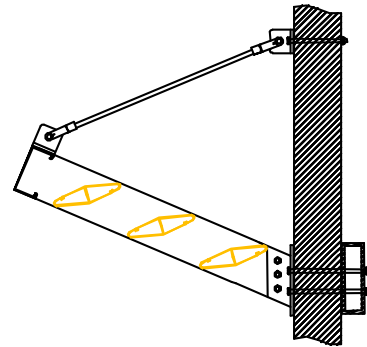


Circular

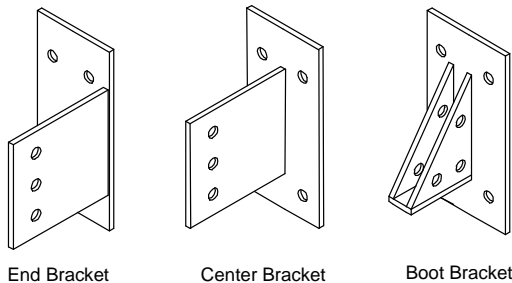
Square

Wedge

**Fascia Options**



Suspension Rod, Tilted 20 deg. Upward

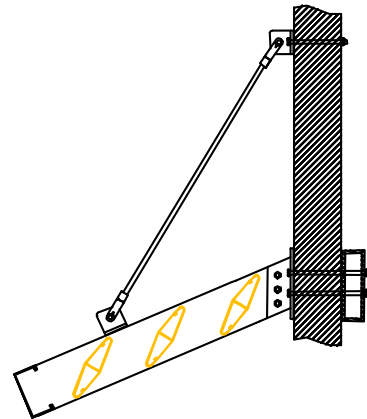


End Bracket

Center Bracket

Boot Bracket

**Mounting Bracket Options**



Suspension Rod, Tilted 20 deg. Downward