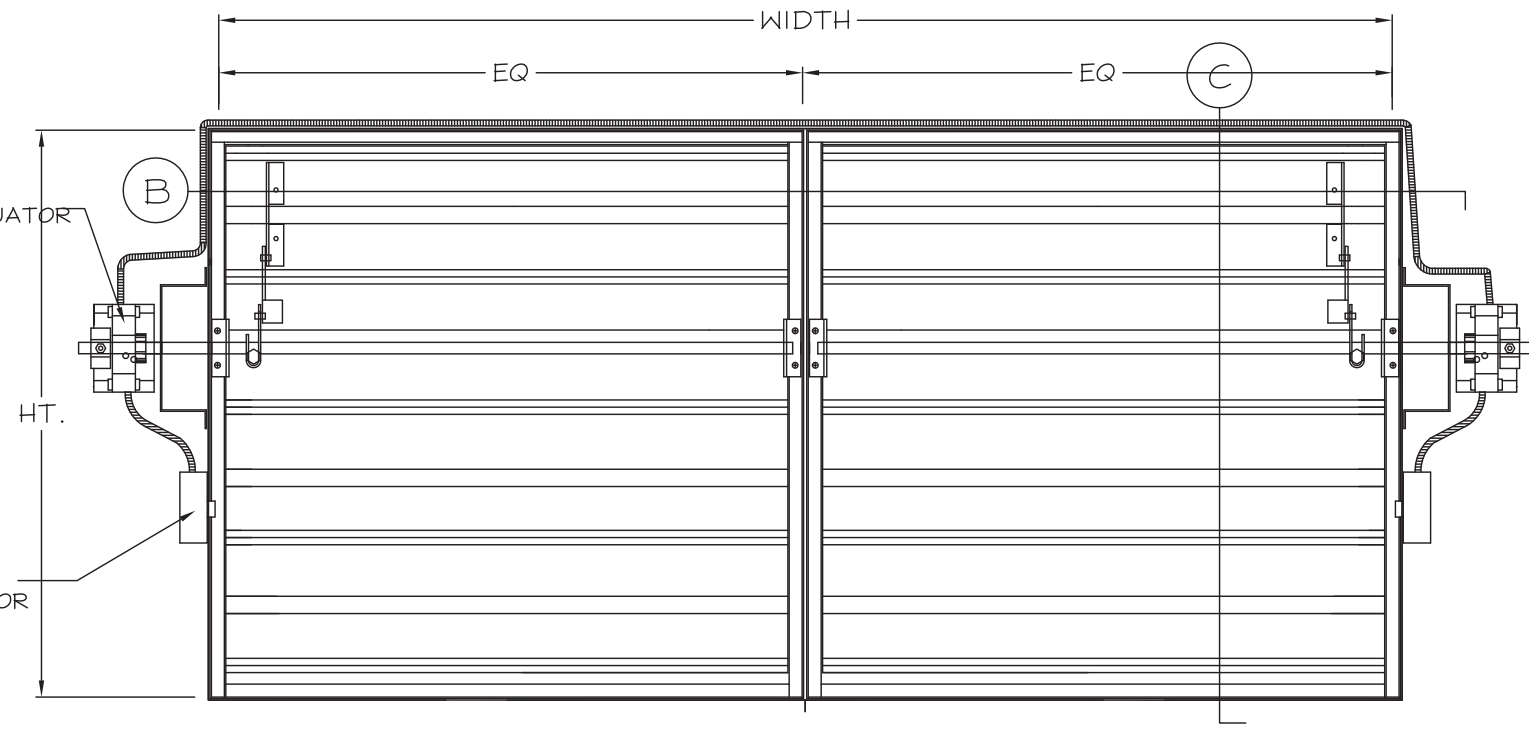


ELEVATION - 1

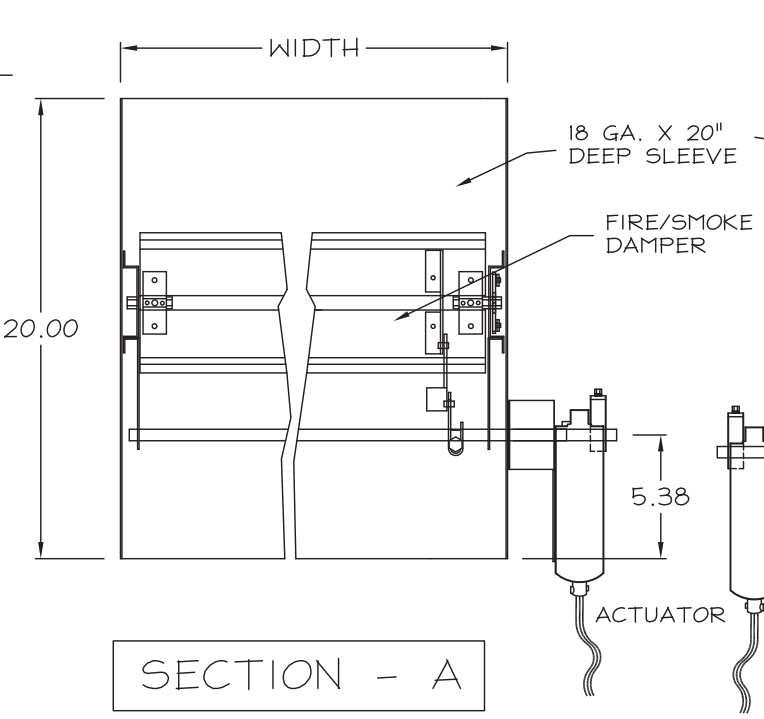


ELEVATION - 2

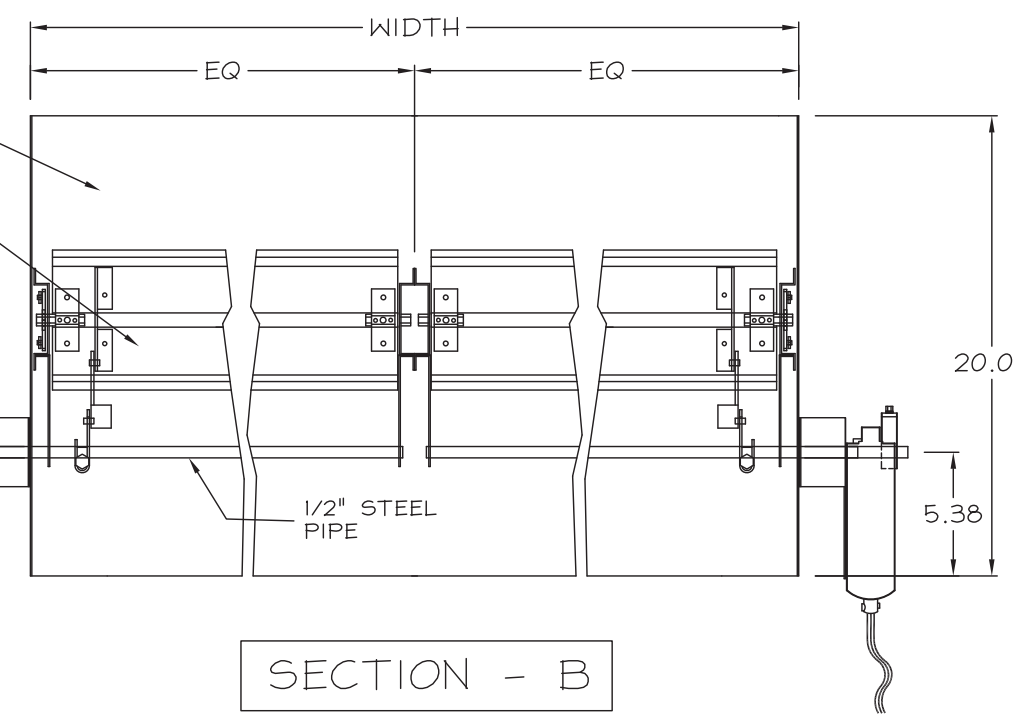
STANDARD CONSTRUCTION
 MODEL: 772 FIRE / SMOKE
 FRAME: 4-7/16" X 16 GA. GALV. STEEL
 BLADES: 6" WIDE 16 GA. GALV. STEEL
 AXLES: 7/16" PLATED HEX
 BEARINGS: BRONZE OIL IMPREGNATED
 LINKAGE: CONCEALED IN JAMB, PLATED STEEL
 SEALS: SILICONE BLADE SEAL & SSTL. JAMB SEALS
 OPERATOR: GND 221 & GGD 221 SIEMENS, 120 Vac
 FINISH: NATURAL MILL

- NOTES:**
1. ALL DAMPERS TO BE FABRICATED 1/4" UNDER LISTED SIZES UNLESS OTHERWISE SPECIFIED "ACTUAL". SLEEVE O.D. PER THE LIST OF SIZES
 2. ALL OPENING SIZES TO BE FIELD VERIFIED BY OTHERS PRIOR TO FABRICATION.
 3. THIS DRAWING IS FOR INFORMATION ONLY, ACTUAL CONSTRUCTION MAY VARY ACCORDING TO SIZE.

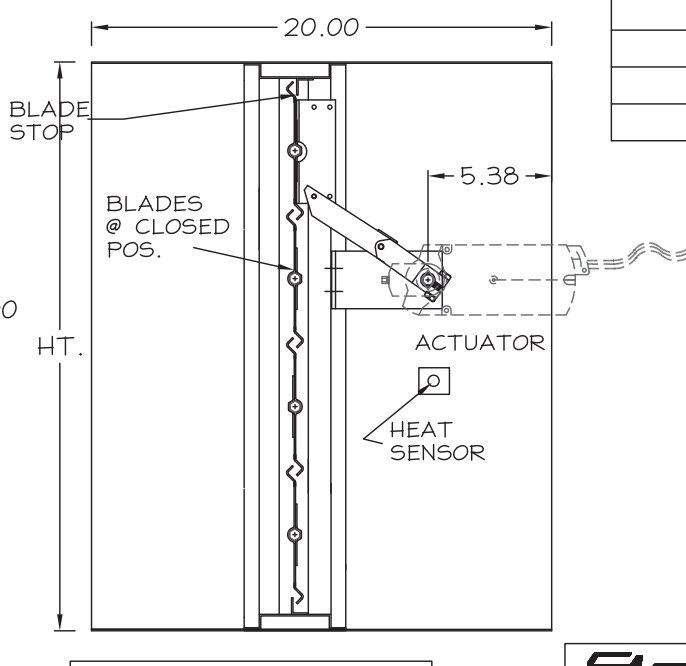
DAMPER SCHEDULE - MODEL 772				
QTY	WIDTH	HEIGHT	ELEVATION	ACTUATOR



SECTION - A



SECTION - B



SECTION - C

SAFE AIR DOWCO DEPENDABLE PRODUCTS SINCE 1955
 1855 SOUTH 54TH AVENUE, CICERO, IL. 60650

ARCH/ENGR: _____ CUSTOMER: _____

REV.	DESCRIPTION	DATE	BY	PROJECT:	TITLE:
					772-F&S DAMPER
				DATE:	DRAWN:
					CHKD:
					DRWG #: