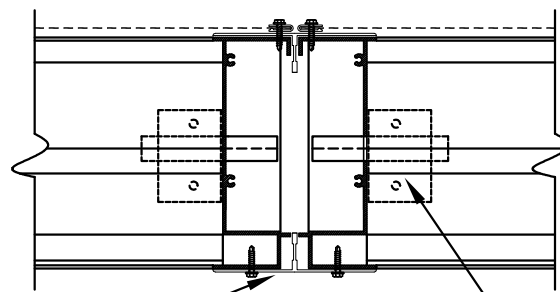
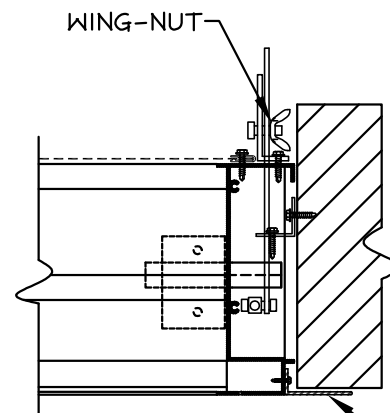


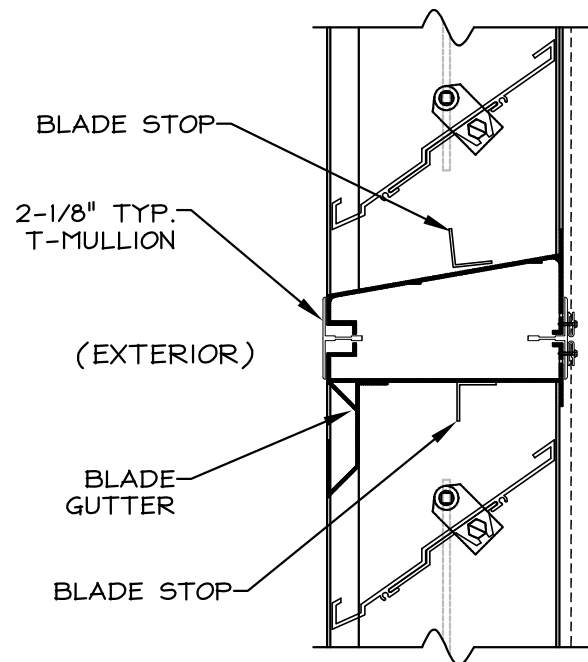
(EXTERIOR)
PLAN VIEW
BOX FRAME



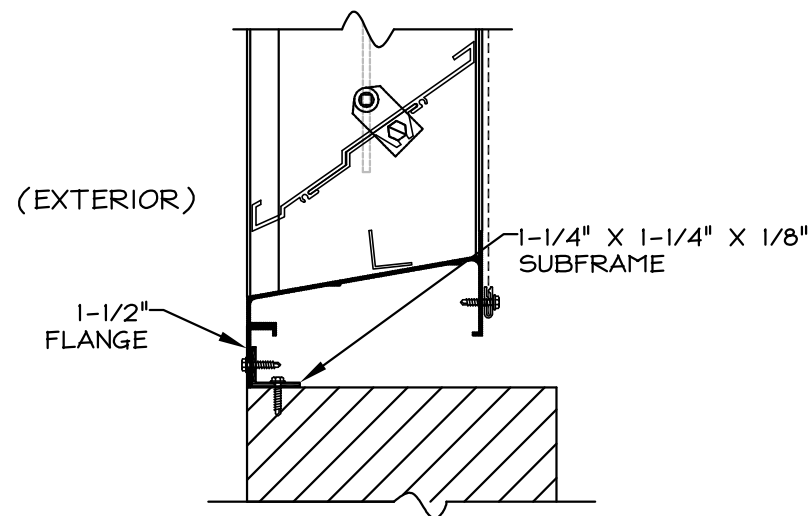
(EXTERIOR)
VERTICAL VISIBLE
MULLION



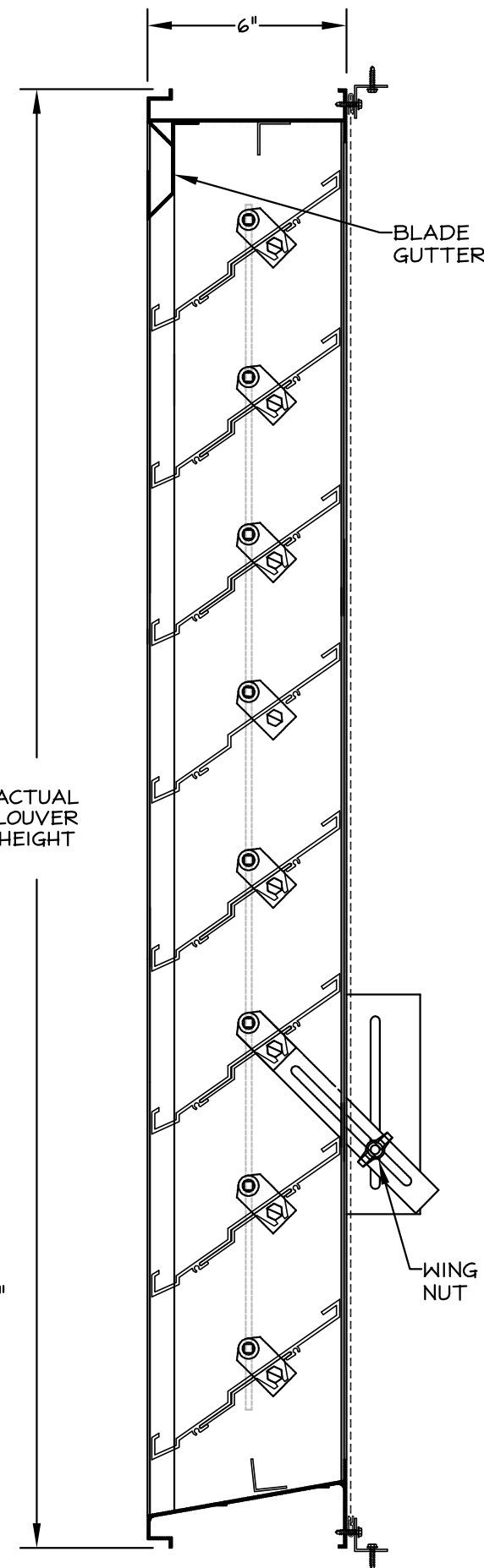
(EXTERIOR)
FLANGE FRAME



(EXTERIOR)
HORIZONTAL VISIBLE
MULLION



(EXTERIOR)
FLANGE W/
SUBFRAME



VERTICAL SECTION

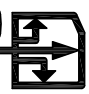
STANDARD CONSTRUCTION

MODEL: A-DBE-06/SERIES
 FRAME: .081" THK. EXTRUDED ALUM. 6063-T5
 BLADES: .081" THK. EXTRUDED ALUM. 6063-T5
 BLADE AXLES AND BEARINGS:
 7/16" PLATED HEX AND BRONZE OILITE
 LINKAGE: PLATED STEEL CONCEALED IN JAMB
 FASTENERS: #10-16 X 1" PLTD. STL. TEK SCREW
 SCREEN: 3/4" X .051" FLATTENED EXPANDED
 ALUMINUM SCREEN IN FRAME MOUNTED
 IN INTERIOR SIDE
 FINISH: MILL
 OPERATOR: WING-NUT TYPE ADJUSTABLE

NOTES

1. ALL LOUVERS TO BE FABRICATED 1/4" UNDER LISTED OPNG. SIZES UNLESS SPECIFIED "ACTUAL"
2. ALL OPNG. SIZES TO BE FIELD VERIFIED AND GUARANTEED BY OTHERS PRIOR TO FABRICATION.
3. OTHER SURROUNDING FINISHES ARE FOR REFERENCES ONLY AND TO BE SUPPLIED BY OTHERS.

REV.	DESCRIPTION	DATE	BY

DOWCO Products Group 

DEPENDABLE PRODUCTS SINCE 1955

1855 SOUTH 54TH AVENUE, CICERO, IL. 60650

ARCH/ENGR:	CUSTOMER:
PROJECT:	TITLE: A-DBE-06/SERIES
DATE:	DRAWN:
SCALE: :	CHKD:
	DRWG #: