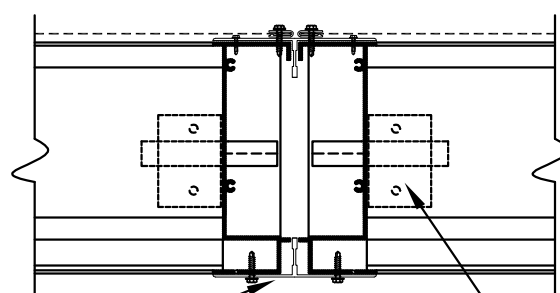
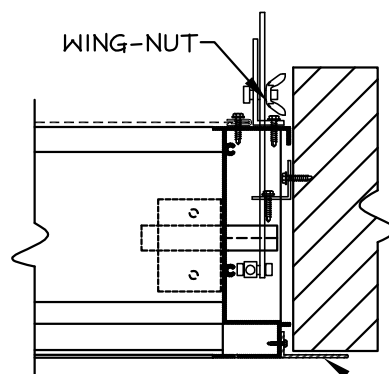


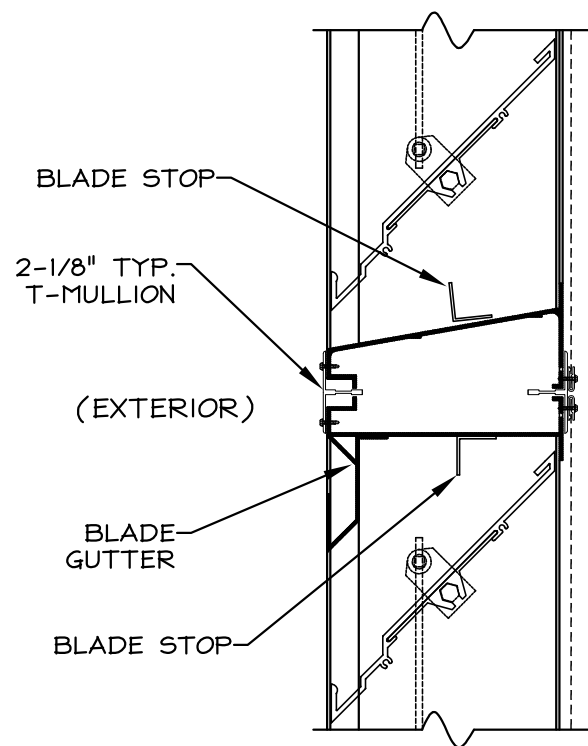
(EXTERIOR)  
PLAN VIEW  
BOX FRAME



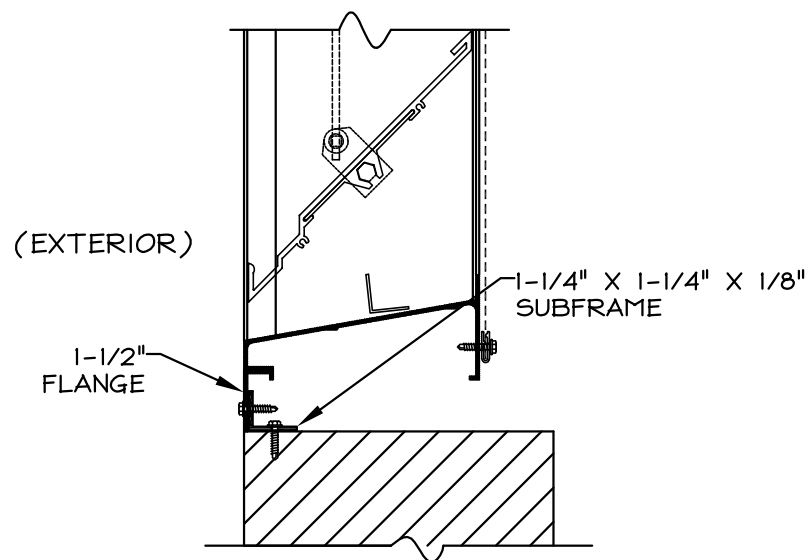
2-1/8" TYP.  
T-MULLION  
(EXTERIOR)  
VERTICAL VISIBLE  
MULLION  
HEX PLATE



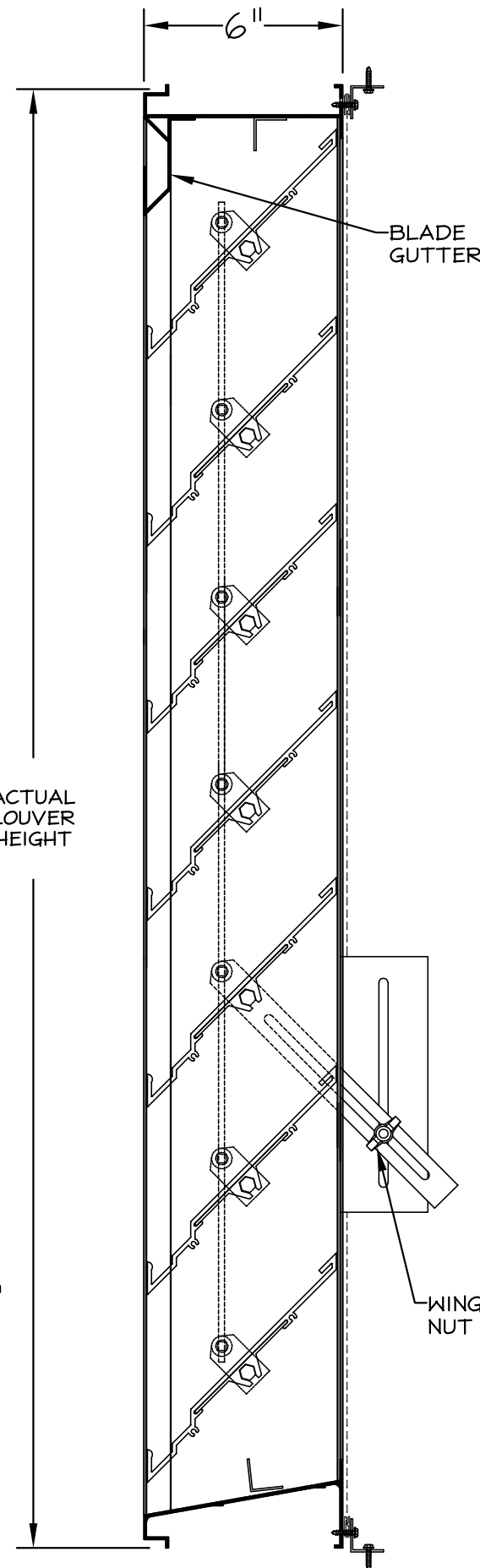
(EXTERIOR)  
FLANGE FRAME  
1-1/2" FLANGE



(EXTERIOR)  
HORIZONTAL VISIBLE  
MULLION



(EXTERIOR)  
FLANGE W/  
SUBFRAME



VERTICAL SECTION

STANDARD CONSTRUCTION

MODEL: A-DWE-06/SERIES  
 FRAME: .081" THK. EXTRUDED ALUM. 6063-T5  
 BLADES: .081" THK. EXTRUDED ALUM. 6063-T5  
 BLADE AXLES AND BEARINGS:  
 7/16" PLATED HEX AND BRONZE OILITE  
 LINKAGE: PLATED STEEL CONCEALED IN JAMB  
 FASTENERS: #10-16 X 1" PLTD. STL. TEK SCREW  
 SCREEN: 3/4" X .051" FLATTENED EXPANDED  
 ALUMINUM IN FRAME MOUNTED IN THE  
 INTERIOR SIDE  
 FINISH: MILL  
 OPERATOR: WING-NUT TYPE ADJUSTABLE

NOTES

1. ALL LOUVERS TO BE FABRICATED 1/4" UNDER LISTED OPNG. SIZES UNLESS SPECIFIED "ACTUAL"
2. ALL OPNG SIZES TO BE FIELD VERIFIED AND GUARANTEED BY OTHERS PRIOR TO FABRICATION.
3. OTHER SURROUNDING FINISHES ARE FOR REFERENCES ONLY AND TO BE SUPPLIED BY OTHERS.

REV.	DESCRIPTION	DATE	BY
		DEPENDABLE PRODUCTS SINCE 1955	
ARCH/ENGR:		CUSTOMER:	
PROJECT:		TITLE: A-DWE-06/SERIES	
DATE:	DRAWN:	DRWG #:	
SCALE: 1:1	CHKD:		