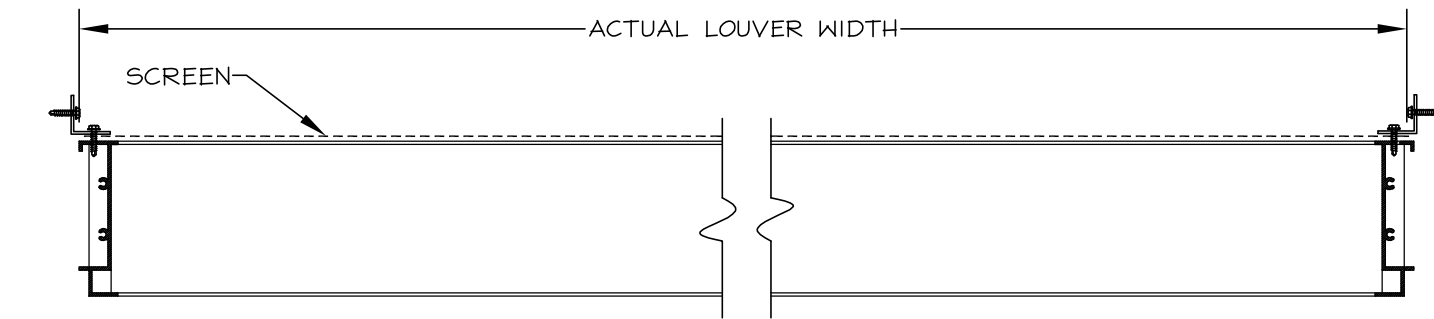


STANDARD CONSTRUCTION

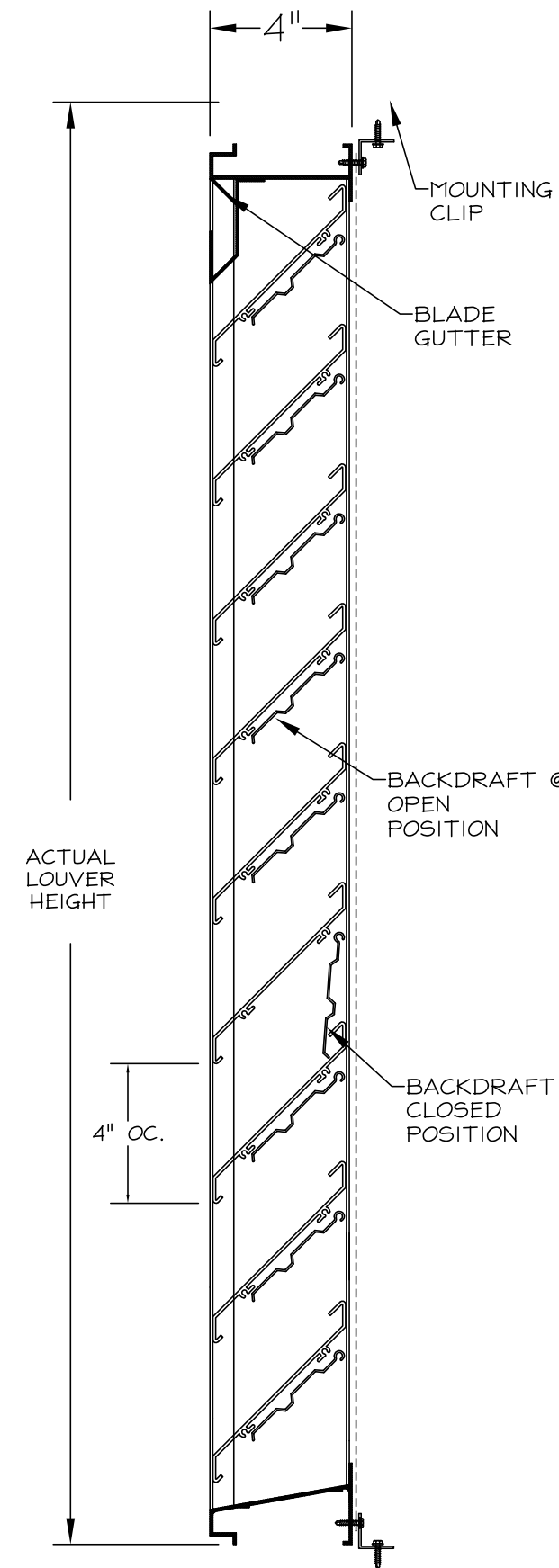
MODEL: AEO-04/SERIES
 FRAME: .081" THK. EXTRUDED ALUM. 6063-T5
 BLADES: FIXED-.081" EXTRUDED ALUM. 6063-T5
 BACKDRAFT-.05" EXTRUDED ALUM. 6063-T5
 AXLE: 3/16" ALUMINUM PINS
 BEARINGS: - BRASS SLEEVE
 SEALS: POLYURETHANE FOAM BLADE EDGE SEAL
 FASTENERS: #10-16 X 1" PLTD. STL. TEK SCREW
 SCREEN: 3/4" X .051" FLATTENED EXPANDED ALUMINUM BIRD SCREEN NO FRAME
 FINISH: MILL

NOTES

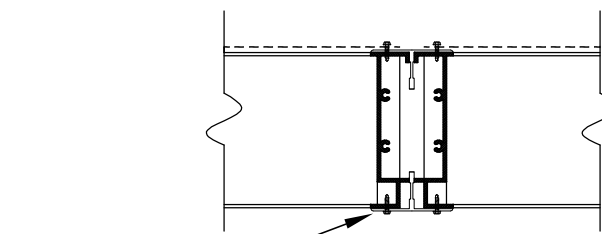
1. ALL LOUVERS TO BE FABRICATED 1/4" UNDER LISTED OPNG. SIZES UNLESS SPECIFIED "ACTUAL"
2. ALL OPNG. SIZES TO BE FIELD VERIFIED AND GUARANTEED BY OTHERS PRIOR TO FABRICATION.
3. OTHER SURROUNDING FINISHES ARE FOR REFERENCES ONLY AND TO BE SUPPLIED BY OTHERS.



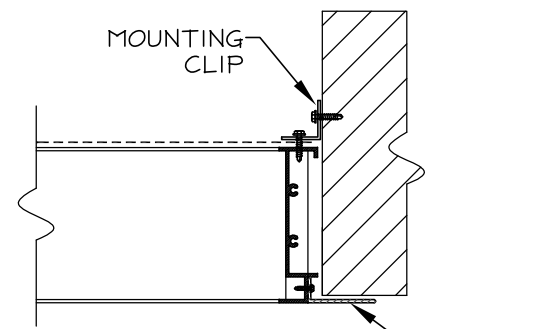
(EXTERIOR)
 PLAN VIEW
 BOX FRAME



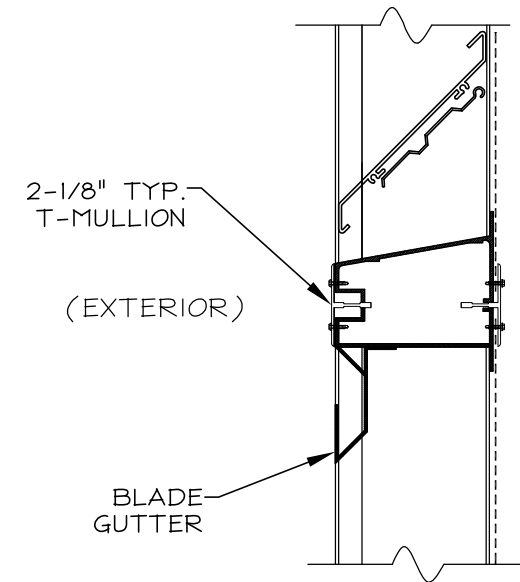
VERTICAL SECTION



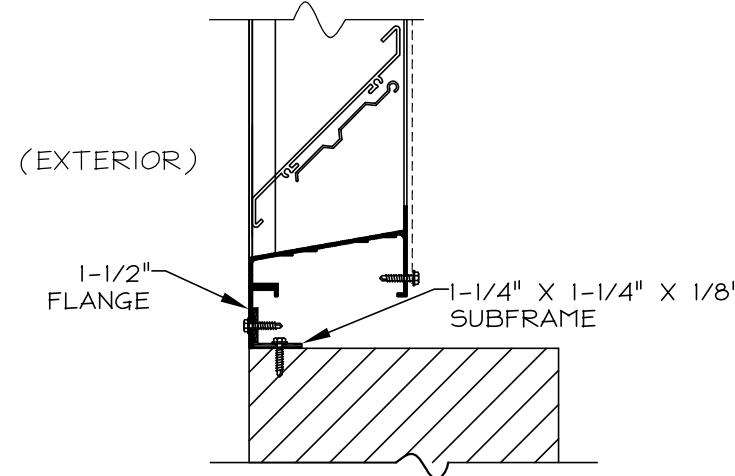
(EXTERIOR)
 VERTICAL VISIBLE
 MULLION



(EXTERIOR)
 FLANGE FRAME



HORIZONTAL VISIBLE
 MULLION



FLANGE W/
 SUBFRAME

REV.	DESCRIPTION	DATE	BY

DOWCO Products Group
 1855 SOUTH 54TH AVENUE, CICERO, IL. 60650
 DEPENDABLE PRODUCTS SINCE 1955

ARCH/ENGR:	CUSTOMER:
PROJECT:	TITLE: AEO-04/SERIES
DATE:	DRAWN:
SCALE: :	CHKD:
	DRWG #: