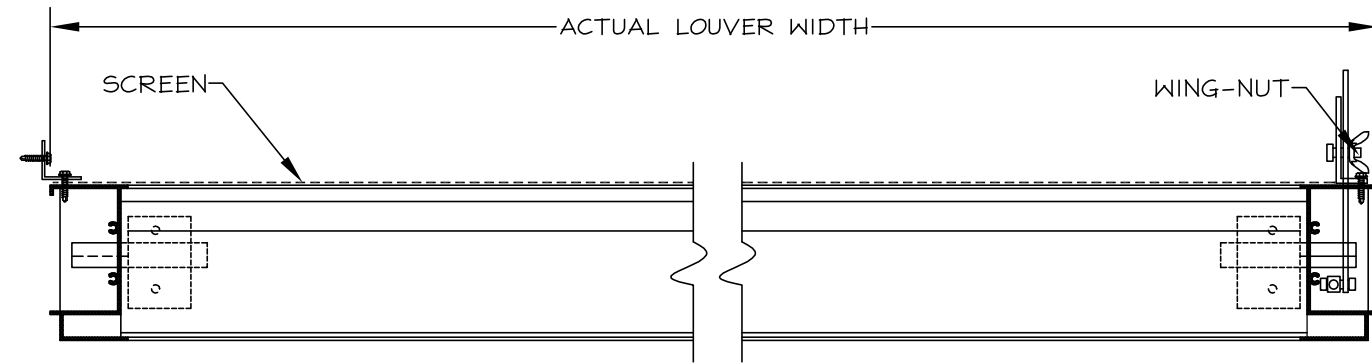


STANDARD CONSTRUCTION

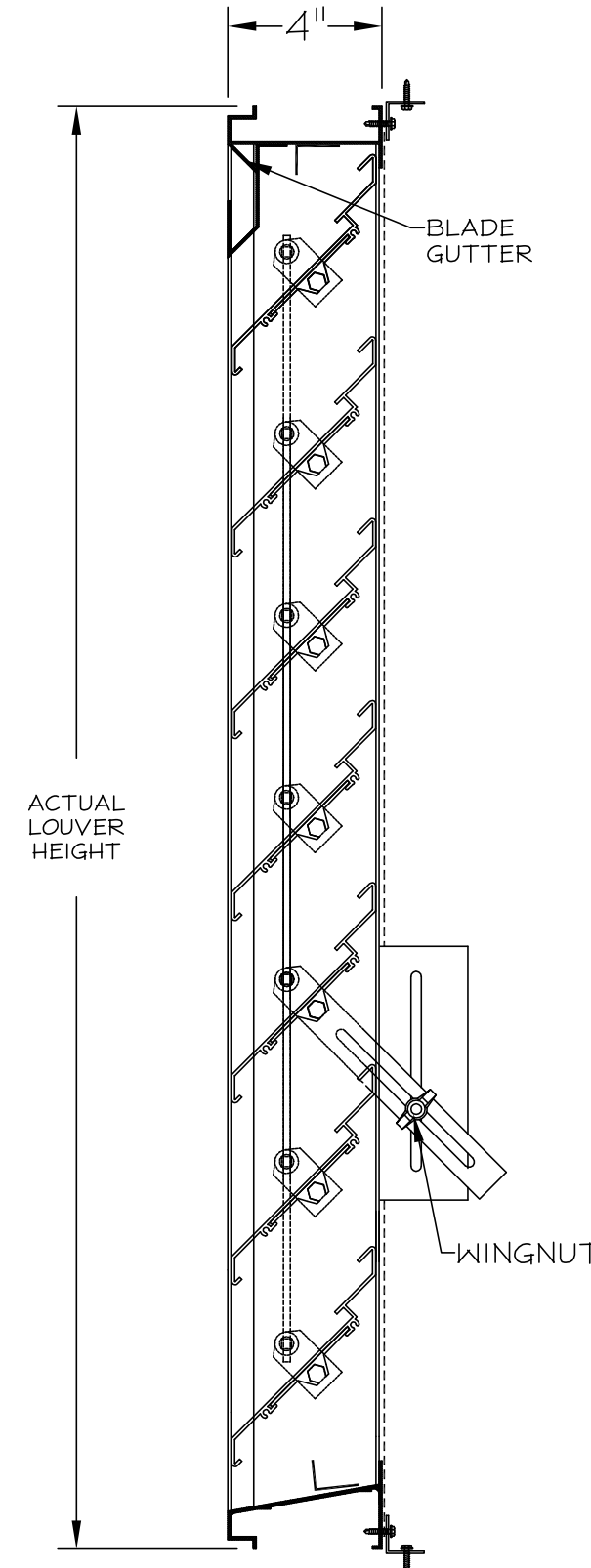
MODEL: A-LEB-04/SERIES
 FRAME: .081" THK. EXTRUDED ALUM. 6063-T5
 BLADES: .081" THK. EXTRUDED ALUM. 6063-T5
 BLADE AXLES AND BEARINGS:
 7/16" PLATED HEX AND BRONZE
 OILITE BUSHING
 LINKAGE: PLATED STEEL CONCEALED IN JAMB
 FASTENERS: #10-16 X 1" PLTD. STL. TEK SCREW
 SCREEN: 3/4" X .051" FLATTENED EXPANDED
 ALUMINUM SCREEN NO FRAME
 FINISH: MILL
 OPERATOR: WING-NUT

NOTES

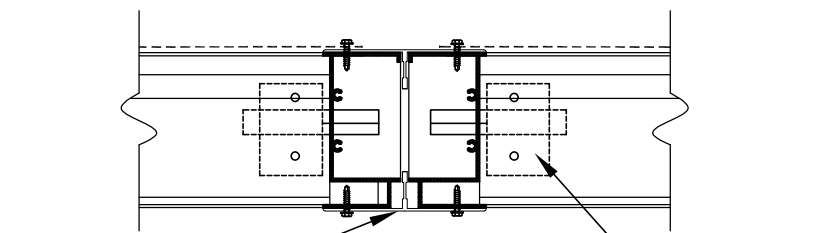
1. ALL LOUVERS TO BE FABRICATED 1/4" UNDER LISTED OPNG. SIZES UNLESS SPECIFIED "ACTUAL"
2. ALL OPNG. SIZES TO BE FIELD VERIFIED AND GUARANTEED BY OTHERS PRIOR TO FABRICATION.
3. OTHER SURROUNDING FINISHES ARE FOR REFERENCES ONLY AND TO BE SUPPLIED BY OTHERS.



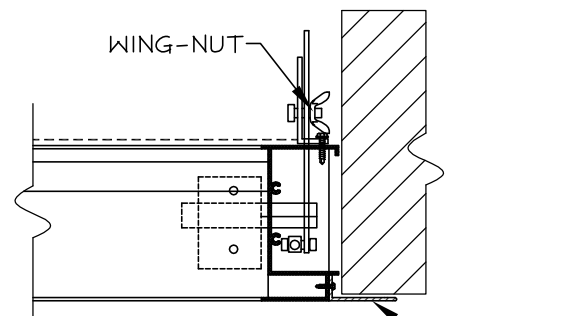
(EXTERIOR)
 PLAN VIEW
 BOX FRAME



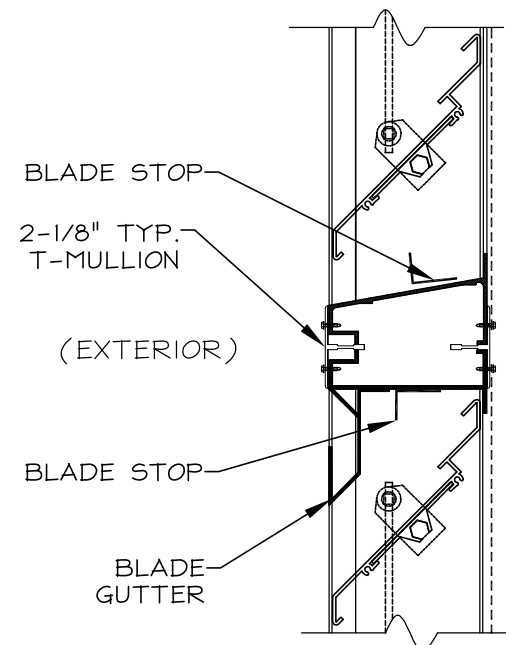
VERTICAL SECTION



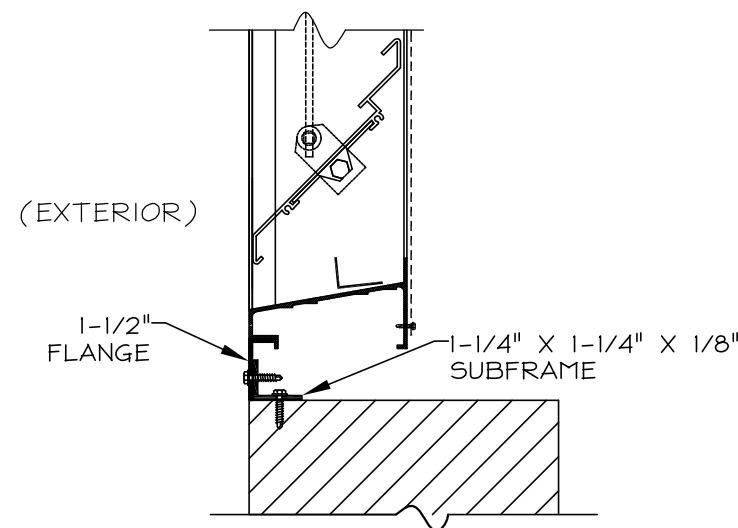
(EXTERIOR)
 VERTICAL VISIBLE
 MULLION



(EXTERIOR)
 FLANGE FRAME



(EXTERIOR)
 HORIZONTAL VISIBLE
 MULLION



(EXTERIOR)
 FLANGE W/
 SUBFRAME

REV.	DESCRIPTION	DATE	BY



DEPENDABLE PRODUCTS
 SINCE 1955

1855 SOUTH 54TH AVENUE, CICERO, IL. 60650

ARCH/ENGR:	CUSTOMER:
PROJECT:	TITLE: A-LEB-04/SERIES
DATE:	DRAWN:
SCALE: 1:1	CHKD:
	DRWG #: