

STANDARD CONSTRUCTION

MODEL: A-LEC-04/SERIES
 FRAME: .081" THK. EXTRUDED ALUM. 6063-T5
 BLADES: .081" THK. EXTRUDED ALUM. 6063-T5
 BLADE AXLES AND BEARINGS:
 7/16" PLATED HEX AND BRONZE
 OILITE BUSHING
 FASTENERS: #10-16 X 1" PLTD. STL. TEK SCREW
 LINKAGE: CONCEALED IN JAMB
 SCREEN: 3/4" X .051" FLATTENED EXPANDED
 ALUMINUM SCREEN NO FRAME
 FINISH: MILL
 OPERATOR: WING-NUT TYPE ADJUSTABLE

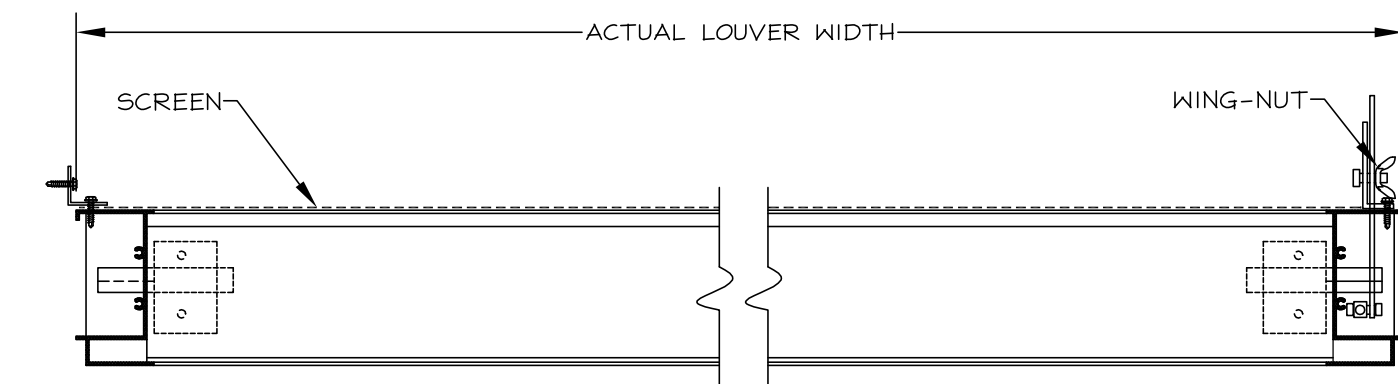
NOTES

1. ALL LOUVERS TO BE FABRICATED 1/4" UNDER LISTED OPNG. SIZES UNLESS SPECIFIED "ACTUAL"
2. ALL OPNG SIZES TO BE FIELD VERIFIED AND GUARANTEED BY OTHERS PRIOR TO FABRICATION.
3. OTHER SURROUNDING FINISHES ARE FOR REFERENCES ONLY AND TO BE SUPPLIED BY OTHERS.

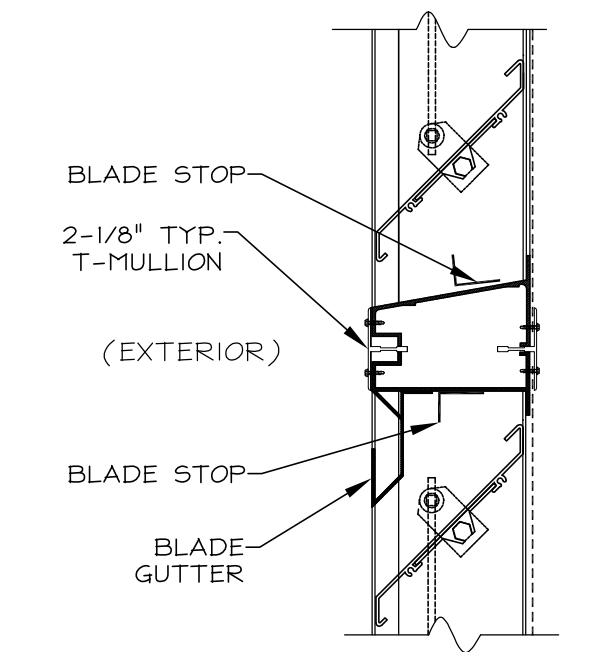
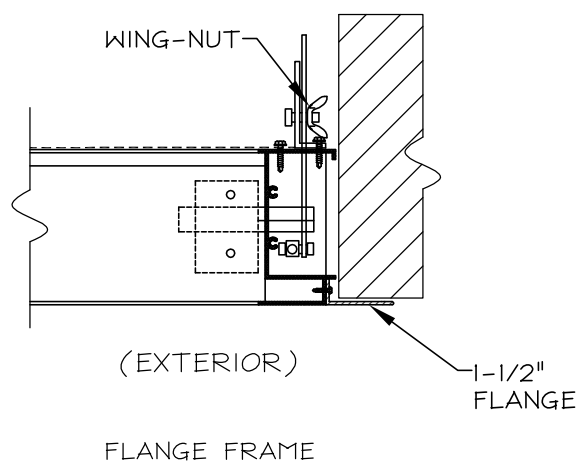
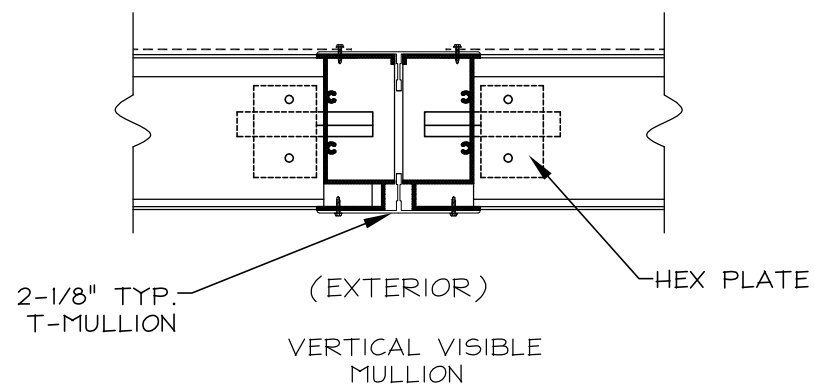
REV.	DESCRIPTION	DATE	BY

DOWCO Products Group  DEPENDABLE PRODUCTS SINCE 1955
 1855 SOUTH 54TH AVENUE, CICERO, IL. 60650

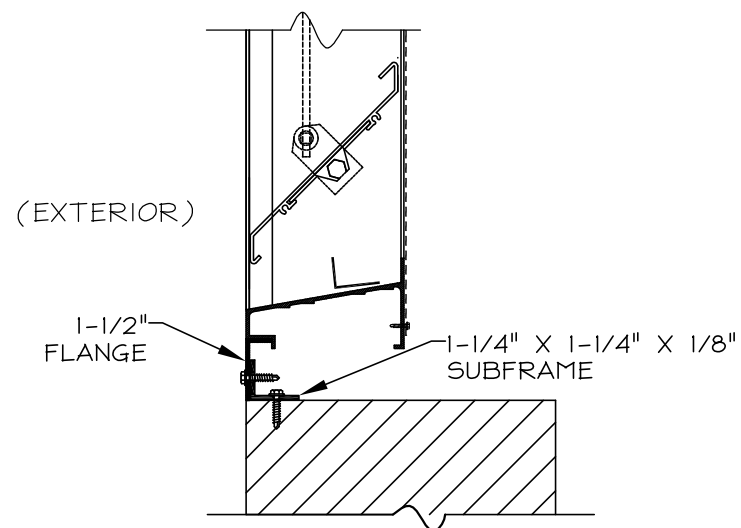
ARCH/ENGR:	CUSTOMER:
PROJECT:	TITLE: A-LEC-04/SERIES
DATE:	DRAWN:
SCALE: 1:1	CHKD:
	DRWG #:



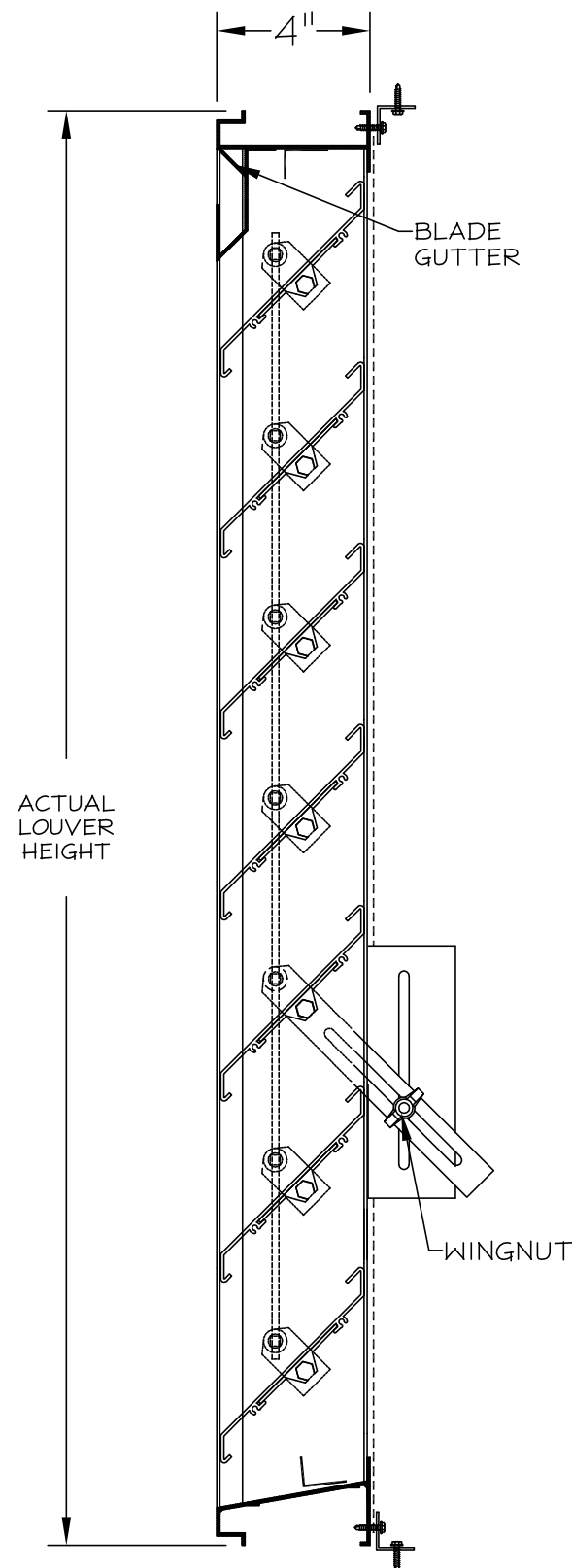
(EXTERIOR)
 PLAN VIEW
 BOX FRAME



HORIZONTAL VISIBLE
 MULLION



FLANGE W/
 SUBFRAME



VERTICAL SECTION