

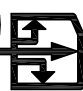
STANDARD CONSTRUCTION

MODEL: C-DWE-44/SERIES  
 FRAME: .081" THK. EXTRUDED ALUM. 6063-T5  
 BLADES: .081" THK. EXTRUDED ALUM. 6063-T5  
 BLADE AXLES AND BEARINGS:  
 7/16" PLATED HEX AND BRONZE  
 OILITE  
 LINKAGE: PLATED STEEL CONCEALED IN JAMB  
 FASTENERS: #10-16 X 1" PLTD. STL. TEK SCREW  
 SCREEN: 3/4" X .051" FLATTENED EXPANDED  
 ALUMINUM SCREEN IN FRAME  
 FINISH: MILL  
 OPERATOR: WING-NUT TYPE ADJUSTABLE

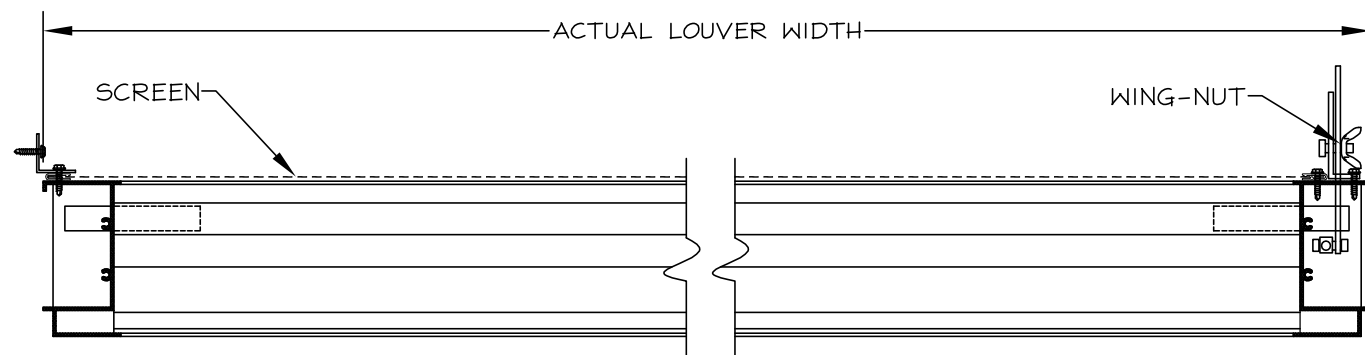
NOTES

1. ALL LOUVERS TO BE FABRICATED 1/4" UNDER LISTED OPNG. SIZES UNLESS SPECIFIED "ACTUAL"
2. ALL OPNG. SIZES TO BE FIELD VERIFIED AND GUARANTEED BY OTHERS PRIOR TO FABRICATION.
3. OTHER SURROUNDING FINISHES ARE FOR REFERENCES ONLY AND TO BE SUPPLIED BY OTHERS.

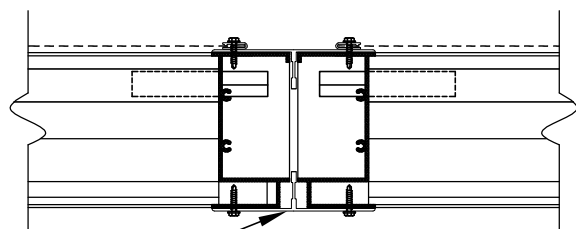
REV.	DESCRIPTION	DATE	BY

**DOWCO** Products Group  DEPENDABLE PRODUCTS SINCE 1955  
 1855 SOUTH 54TH AVENUE, CICERO, IL. 60650

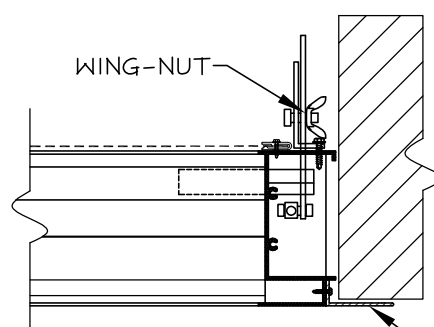
ARCH/ENGR:	CUSTOMER:
PROJECT:	TITLE: C-DWE-44/SERIES
DATE:	DRAWN:
SCALE:  :	CHKD:
	DRWG #:



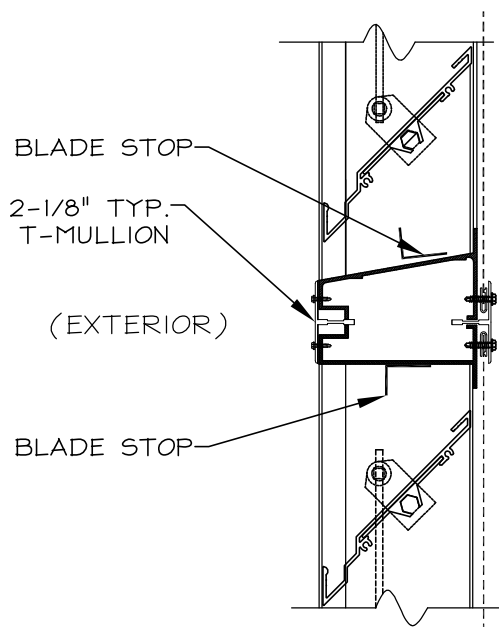
(EXTERIOR)  
 PLAN VIEW  
 BOX FRAME



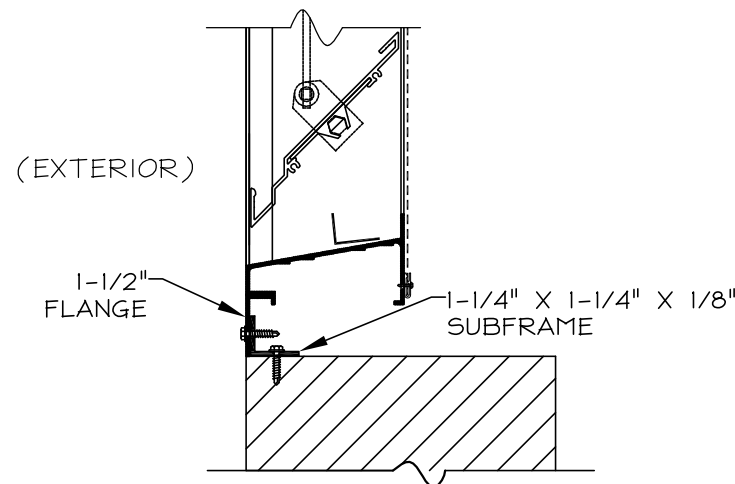
2-1/8" TYP. T-MULLION  
 (EXTERIOR)  
 VERTICAL VISIBLE MULLION



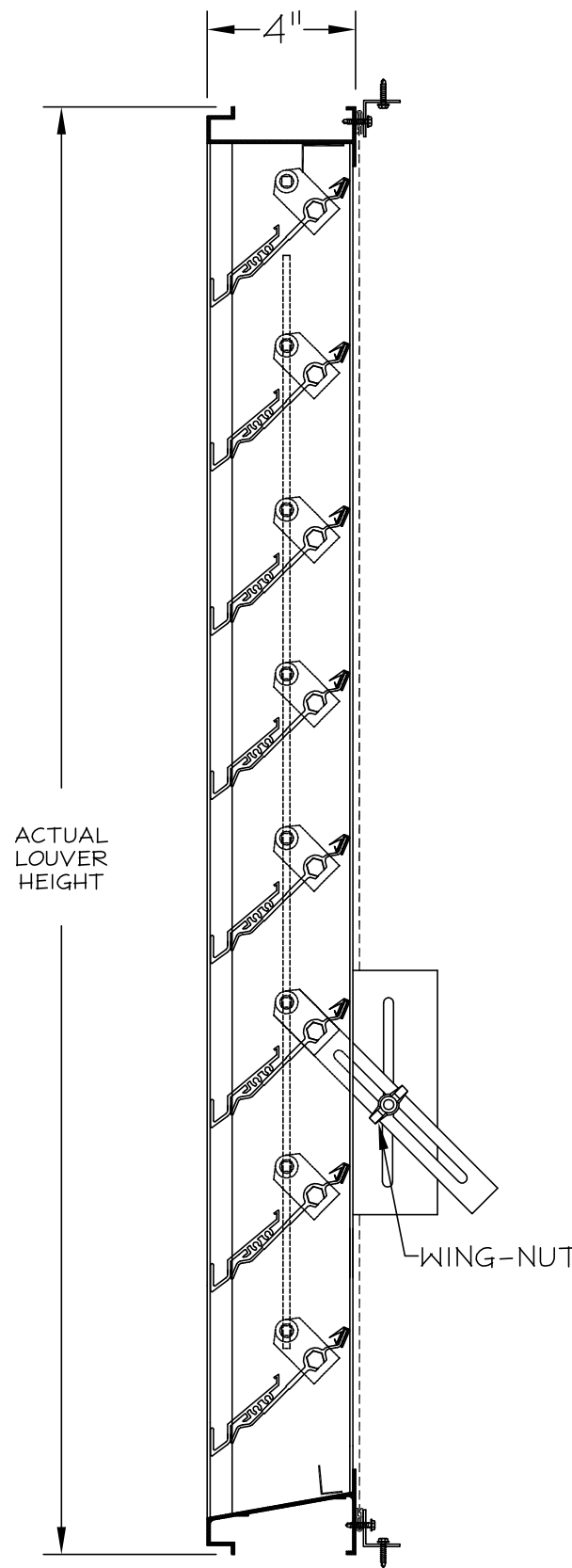
(EXTERIOR)  
 FLANGE FRAME



HORIZONTAL VISIBLE MULLION



FLANGE W/  
 SUBFRAME



VERTICAL SECTION