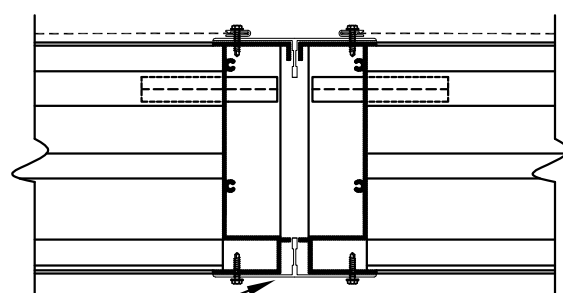
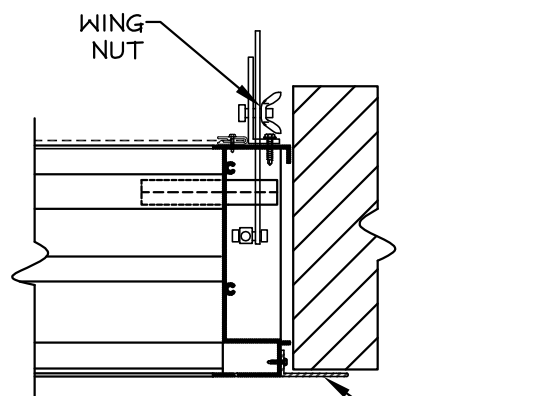


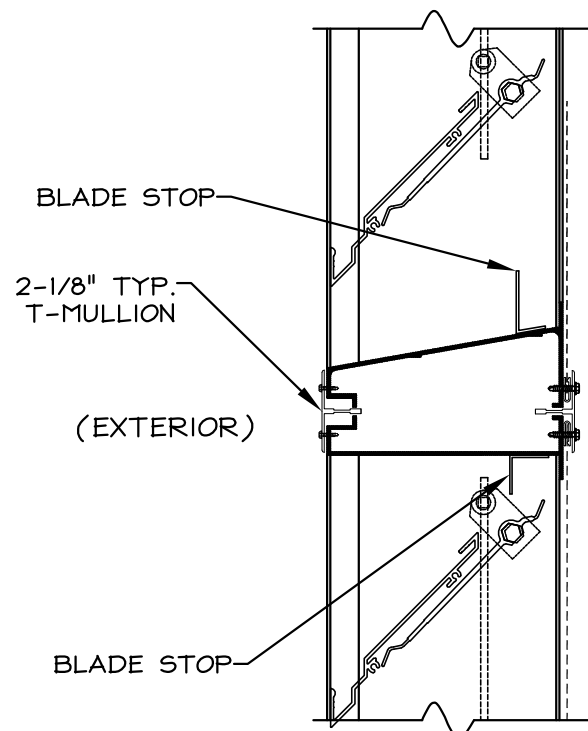
(EXTERIOR)  
PLAN VIEW  
BOX FRAME



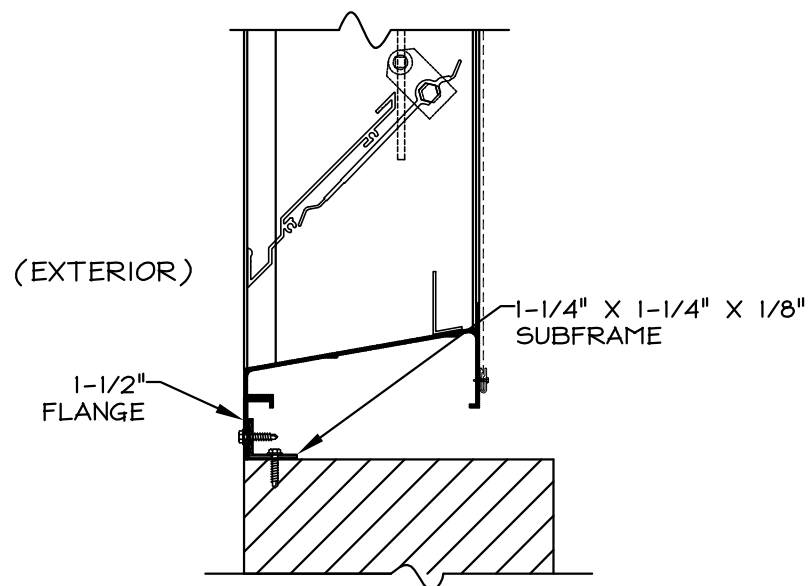
(EXTERIOR)  
VERTICAL VISIBLE  
MULLION



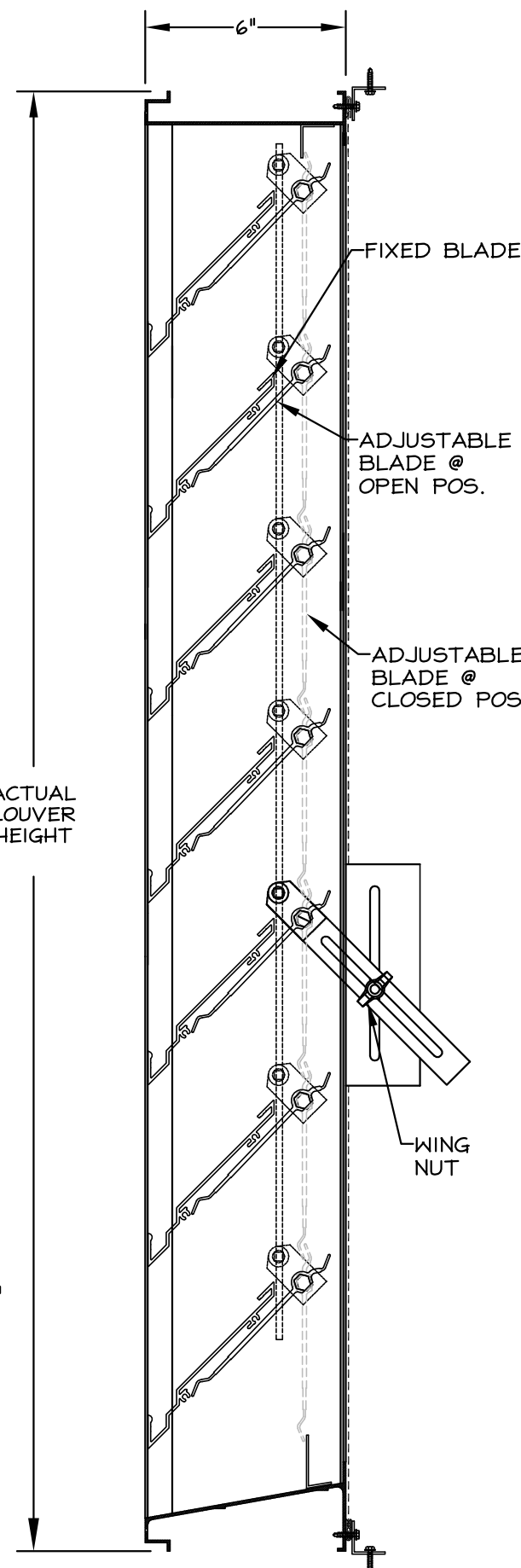
(EXTERIOR)  
FLANGE FRAME



(EXTERIOR)  
HORIZONTAL VISIBLE  
MULLION



(EXTERIOR)  
FLANGE W/  
SUBFRAME



VERTICAL SECTION

STANDARD CONSTRUCTION

MODEL: C-DWE-46/SERIES  
 FRAME: .081" THK. EXTRUDED ALUMINUM  
 BLADES: FIXED-.081" THK. EXTR. ALUMINUM  
 ADJUSTABLE-.125" THK EXTR. ALUMINUM  
 BLADE AXLES AND BEARINGS:  
 7/16" PLATED HEX AND BRONZE  
 OILITE BUSHING  
 SEALS: VINYL BLADE EDGE AND FLEXIBLE  
 ALUMINUM JAMB SEALS  
 FASTENERS: #10-16 X 1" PLTD. STL. TEK SCREW  
 SCREEN: 3/4" X .051" FLATTENED EXPANDED  
 ALUMINUM SCREEN IN FRAME  
 FINISH: MILL  
 OPERATOR: WING-NUT

NOTES

1. ALL LOUVERS TO BE FABRICATED 1/4" UNDER LISTED OPNG. SIZES UNLESS SPECIFIED "ACTUAL"
2. ALL OPNG SIZES TO BE FIELD VERIFIED AND GUARANTEED BY OTHERS PRIOR TO FABRICATION.
3. OTHER SURROUNDING FINISHES ARE FOR REFERENCES ONLY AND TO BE SUPPLIED BY OTHERS.

REV.	DESCRIPTION	DATE	BY
		DEPENDABLE PRODUCTS SINCE 1955 1855 SOUTH 54TH AVENUE, CICERO, IL. 60650	
ARCH/ENGR:		CUSTOMER:	
PROJECT:		TITLE: C-DWE-46/SERIES	
DATE:	DRAWN:		
SCALE:  :	CHKD:	DRWG #:	