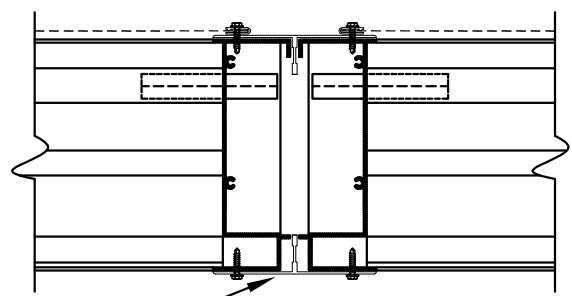
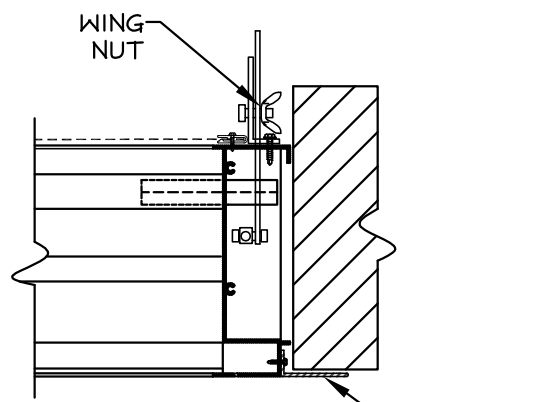


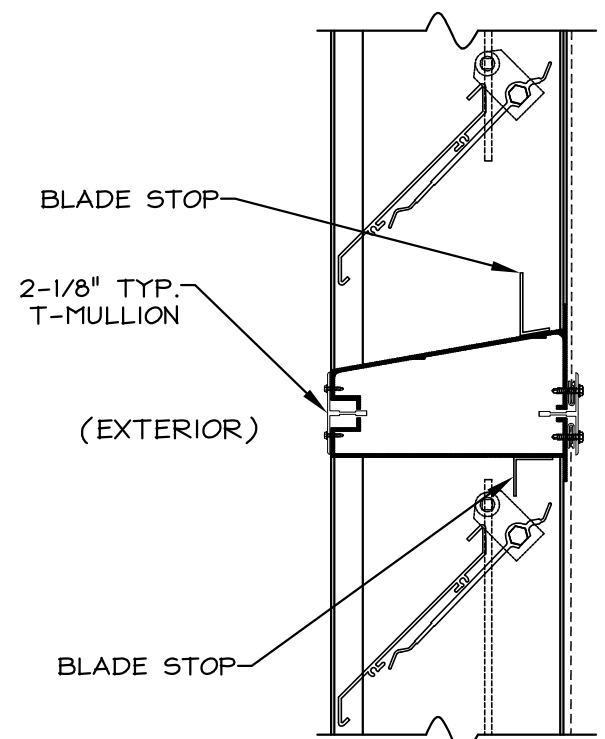
(EXTERIOR)
PLAN VIEW
BOX FRAME



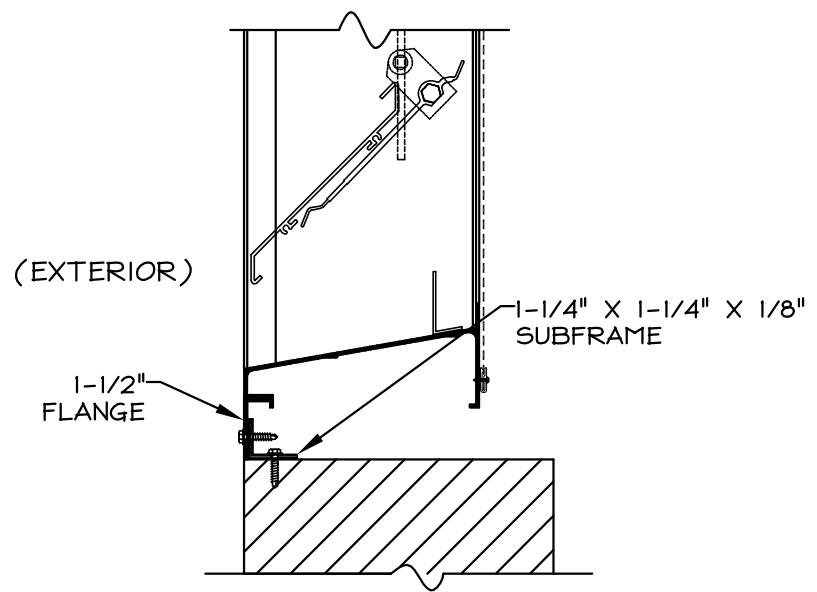
2-1/8" TYP.
T-MULLION
(EXTERIOR)
VERTICAL VISIBLE
MULLION



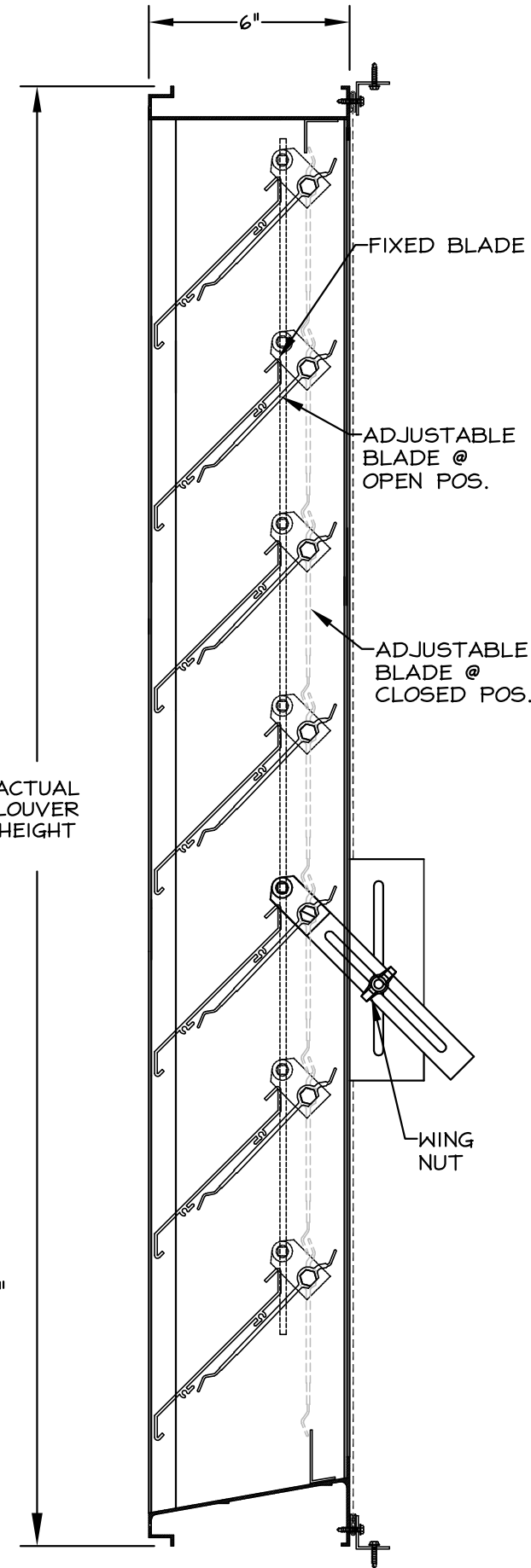
(EXTERIOR)
FLANGE FRAME
1-1/2" FLANGE



(EXTERIOR)
HORIZONTAL VISIBLE
MULLION



(EXTERIOR)
FLANGE W/
SUBFRAME
1-1/2" FLANGE
1-1/4" X 1-1/4" X 1/8"
SUBFRAME



VERTICAL SECTION


STANDARD CONSTRUCTION

MODEL: C-LEC-46/SERIES
 FRAME: .081" THK. EXTRUDED ALUMINUM
 BLADES: FIXED-.081" THK. EXTR. ALUMINUM
 ADJUSTABLE-.125" THK EXTR. ALUMINUM
 BLADE AXLES AND BEARINGS:
 7/16" PLATED HEX AND BRONZE
 OILITE BUSHING
 SEALS: VINYL BLADE EDGE AND FLEXIBLE
 ALUMINUM JAMB SEALS
 FASTENERS: #10-16 X 1" PLTD. STL. TEK SCREW
 SCREEN: 3/4" X .051" FLATTENED EXPANDED
 ALUMINUM SCREEN IN FRAME
 FINISH: MILL
 OPERATOR: WING-NUT

NOTES

1. ALL LOUVERS TO BE FABRICATED 1/4" UNDER LISTED OPNG. SIZES UNLESS SPECIFIED "ACTUAL"
2. ALL OPNG SIZES TO BE FIELD VERIFIED AND GUARANTEED BY OTHERS PRIOR TO FABRICATION.
3. OTHER SURROUNDING FINISHES ARE FOR REFERENCES ONLY AND TO BE SUPPLIED BY OTHERS.

REV.	DESCRIPTION	DATE	BY



DEPENDABLE PRODUCTS SINCE 1955

1855 SOUTH 54TH AVENUE, CICERO, IL. 60650

ARCH/ENGR:	CUSTOMER:
PROJECT:	TITLE: C-LEC-46/SERIES
DATE:	DRAWN:
SCALE: :	CHKD:
	DRWG #: