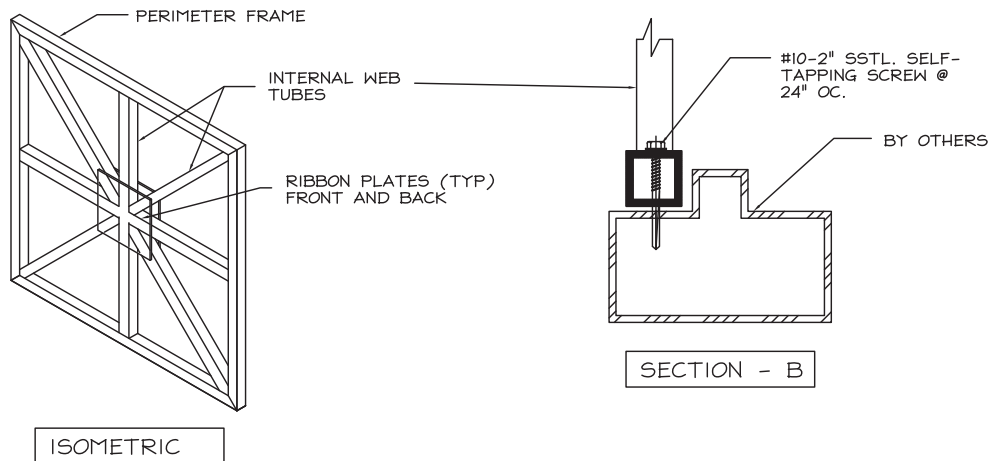
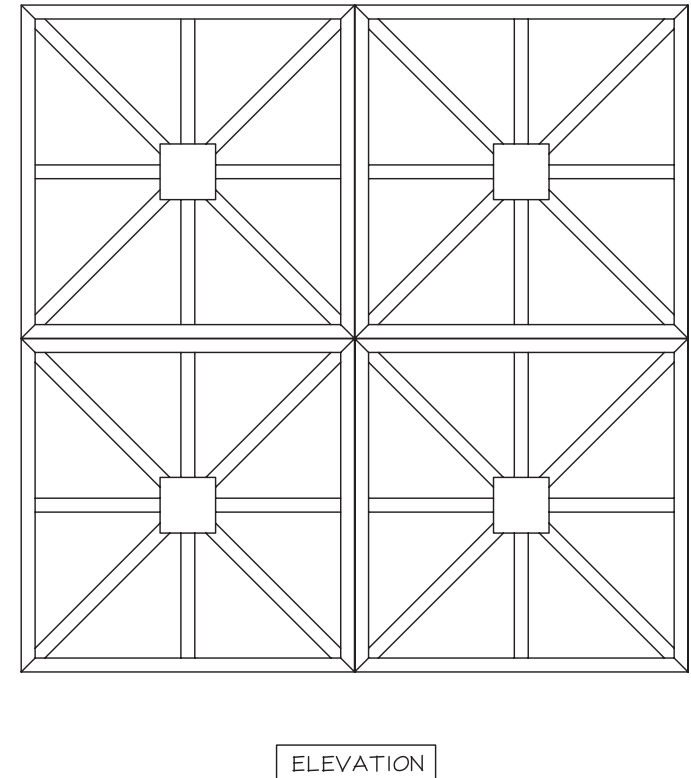
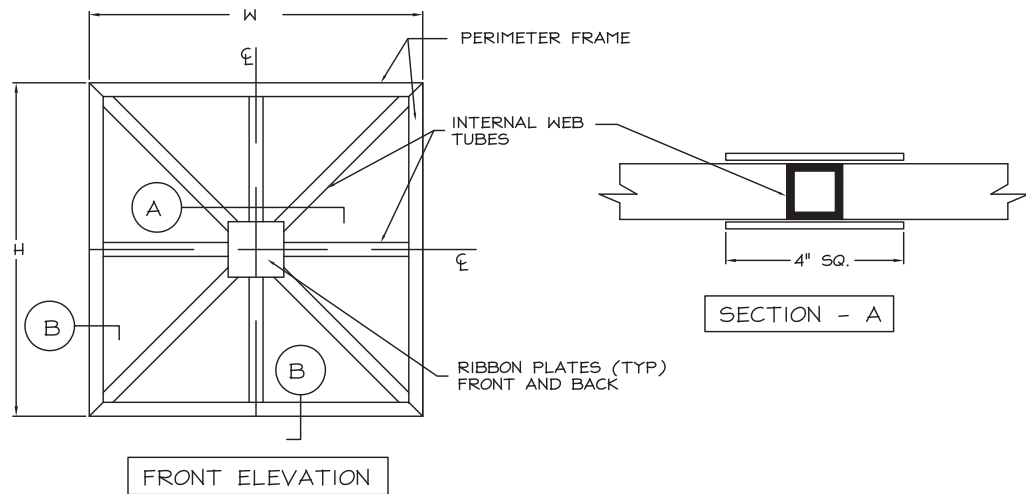


STATIONARY ALUMINUM DECORATIVE GRILLE

GBF-20/SERIES



STANDARD CONSTRUCTION:
 PERIMETER FRAME: 1-1/2" SQUARE EXTRUDED ALUMINUM ALLOY 6063-T5
 INTERNAL WEB TUBES: 1" SQUARE EXTRUDED ALUMINUM ALLOY 6063-T5
 RIBBON PLATES: 4" X 4" X 1/8"
 FASTENERS: WELDED CONSTRUCTION

NOTES:
 1. ALL LOUVERS TO BE FABRICATED 3/8" UNDER LISTED OPENING SIZES UNLESS SPECIFIED "ACTUAL"
 2. ALL OPENING SIZES TO BE FIELD VERIFIED AND GUARANTEED BY OTHERS PRIOR TO FABRICATION.
 3. OTHER SURROUNDING FINISHES ARE FOR REFERENCES ONLY AND TO BE SUPPLIED BY OTHERS.

LOUVER SCHEDULE

TAG	QTY	SIZE (WXH)	NOTES



DEPENDABLE PRODUCTS SINCE 1955

1855 SOUTH 54TH AVENUE, CICERO, IL. 60650

ARCH/ENGR:		CUSTOMER:	
PROJECT:		TITLE: GBF-20/SERIES	
DATE:	DRAWN:	DRWG #:	
SCALE:	CHKD:		