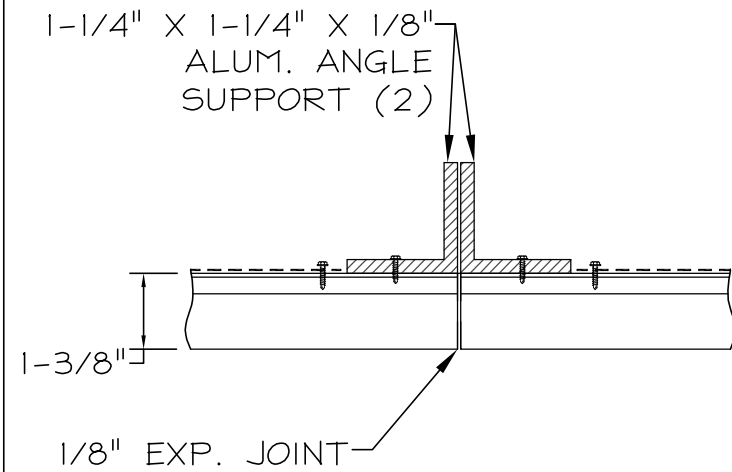
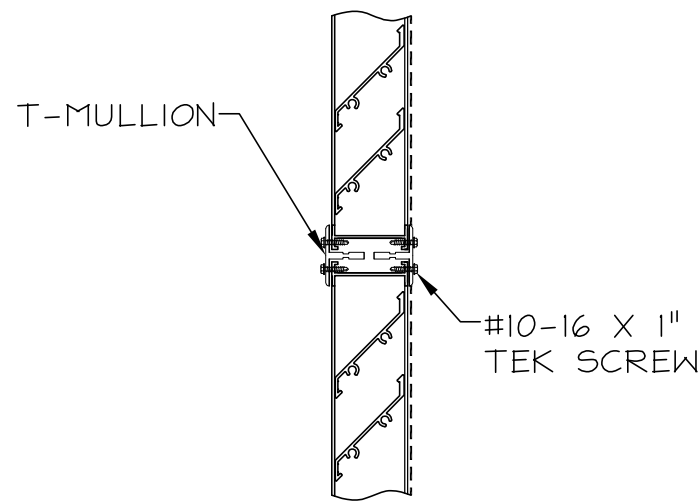


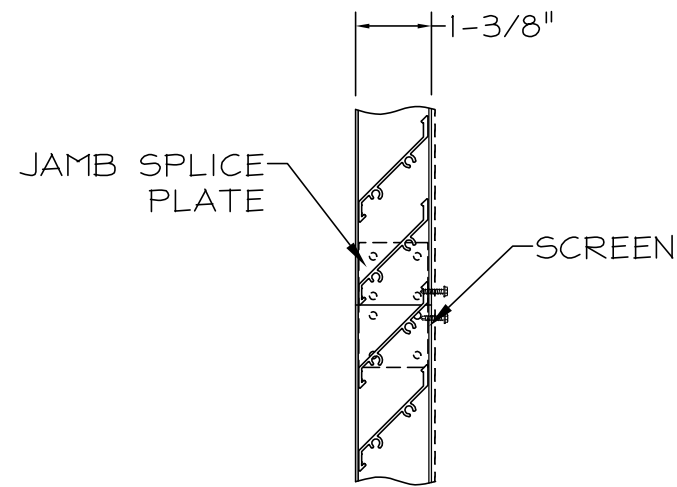
VERTICAL VISIBLE MULLION



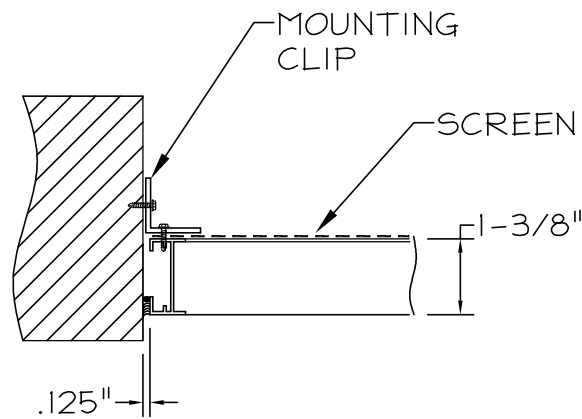
VERTICAL INVISIBLE MULLION



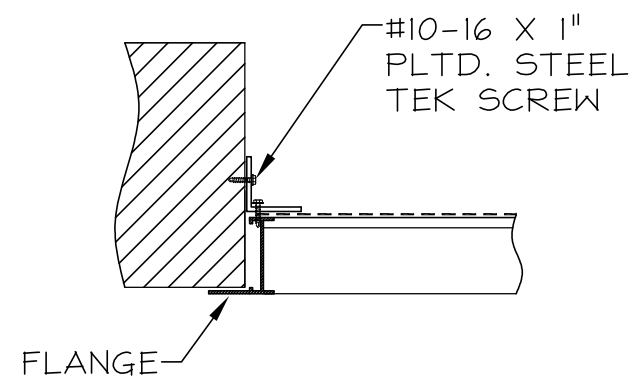
HORIZONTAL VISIBLE MULLION



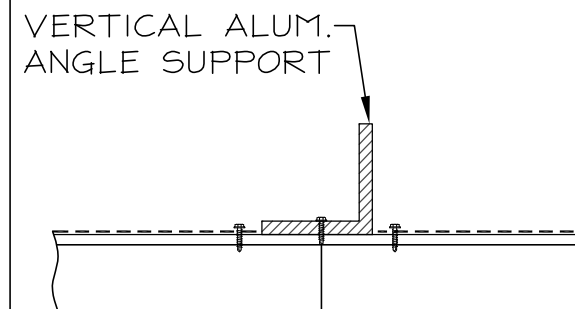
HORIZONTAL INVISIBLE MULLION



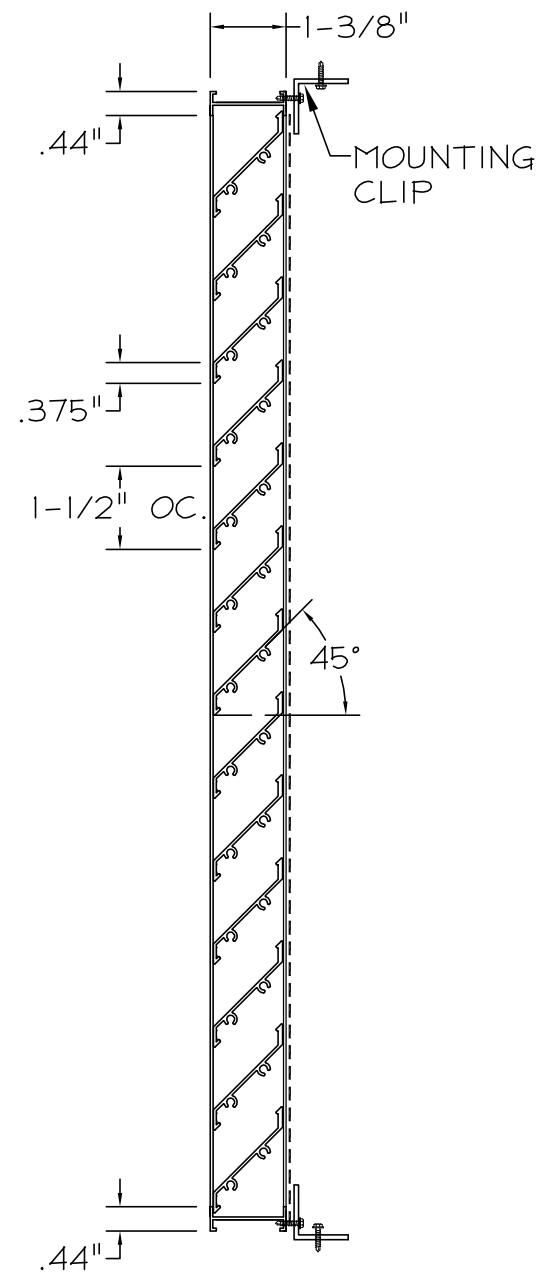
BOX FRAME



FLANGE FRAME



CONTINUOUS BLADE



VERTICAL SECTION

STANDARD CONSTRUCTION

MODEL: LEC-01/SERIES
 FRAME: .050" THK. EXTRUDED ALUM. 6063-T5
 BLADES: .050" THK. EXTRUDED ALUM. 6063-T5
 FASTENERS: #10-16 X 1" PLTD. STL. TEK SCREW
 SCREEN: 3/4" x .051" EXPANDED ALUMINUM
 SCREEN NO FRAME
 FINISH: MILL

NOTES

1. ALL LOUVERS TO BE FABRICATED 1/4" UNDER LISTED OPENING SIZES UNLESS SPECIFIED "ACTUAL"
2. ALL OPENING SIZES TO BE FIELD VERIFIED AND GUARANTEED BY OTHERS PRIOR TO FABRICATION.
3. OTHER SURROUNDING FINISHES ARE FOR REFERENCES ONLY AND TO BE SUPPLIED BY OTHERS.



DEPENDABLE PRODUCTS SINCE 1955

1855 SOUTH 54TH AVENUE, CICERO, IL. 60650

ARCH/ENGR:		CUSTOMER:	
PROJECT:		TITLE: LEC-01/SERIES	
DATE:	DRAWN:		
SCALE: 1:1	CHKD:	DRWG #:	