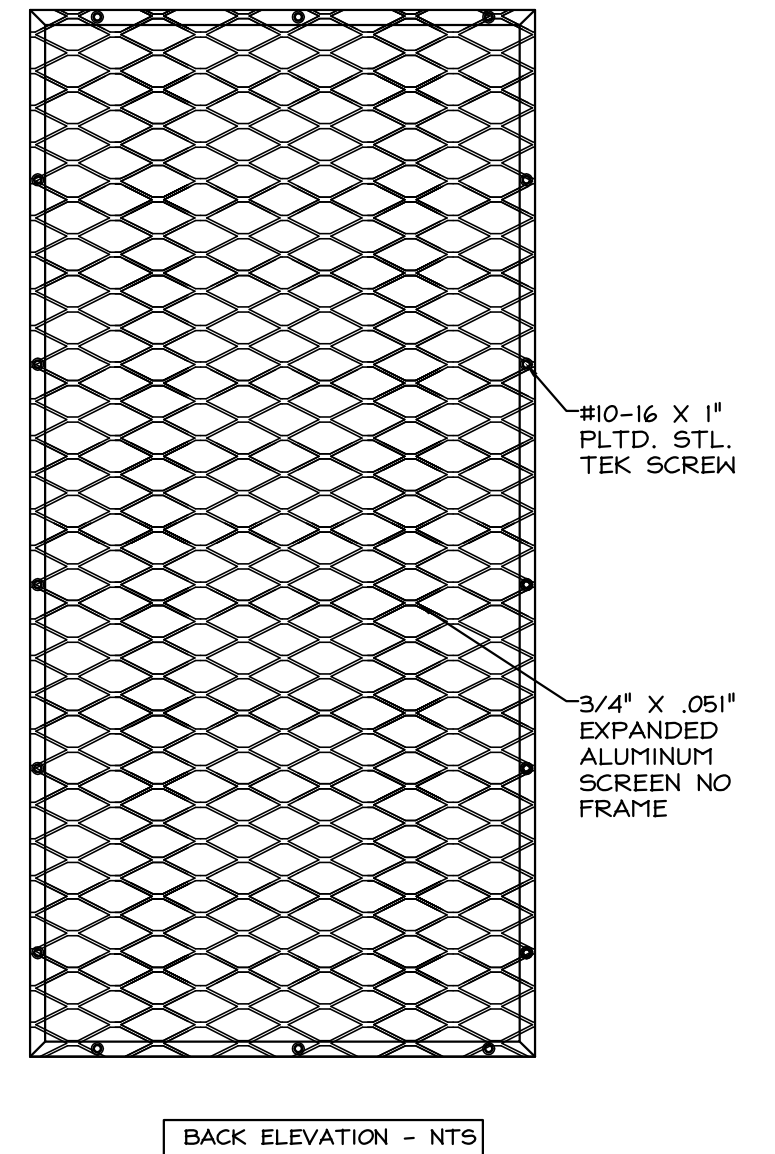
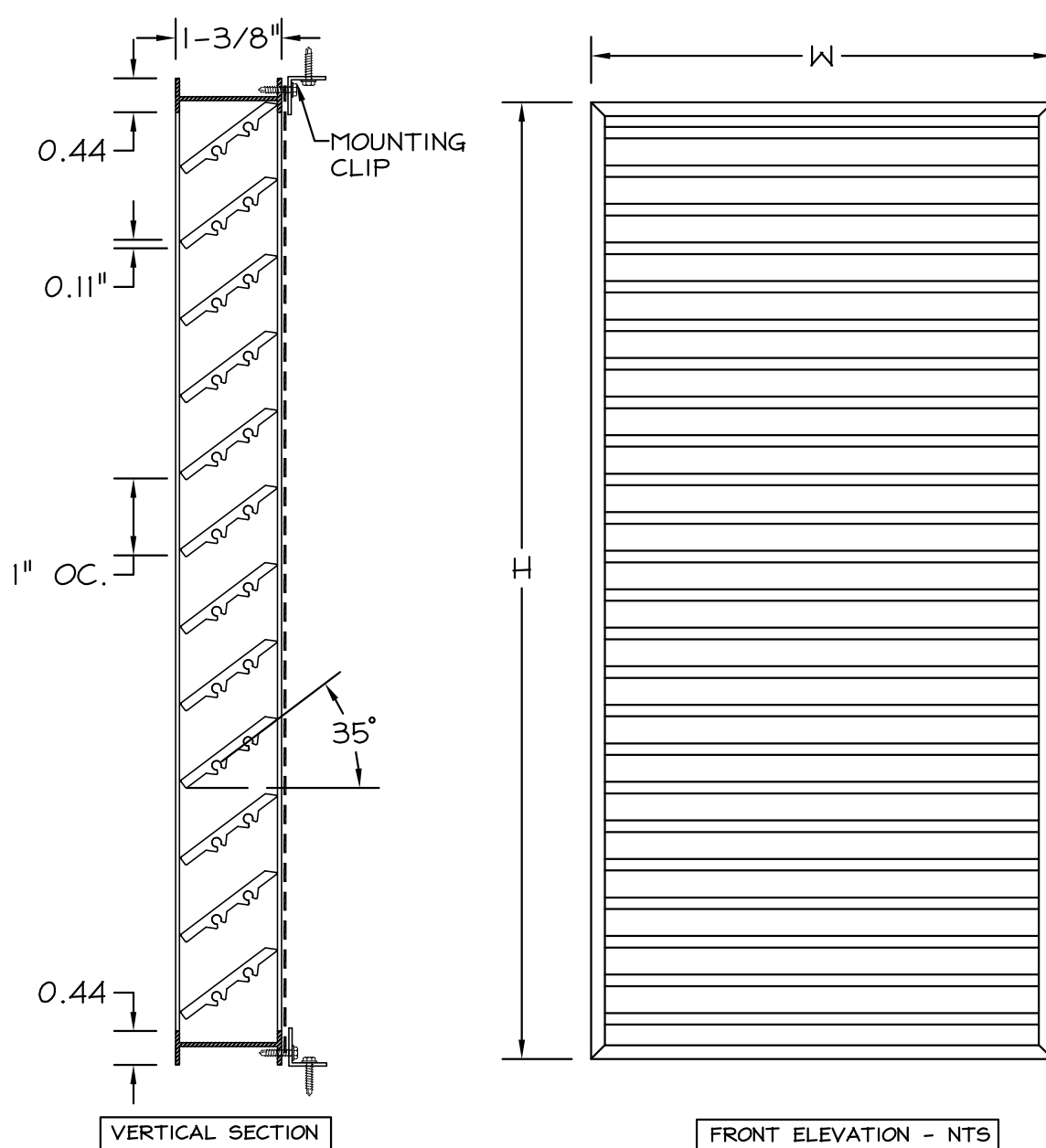
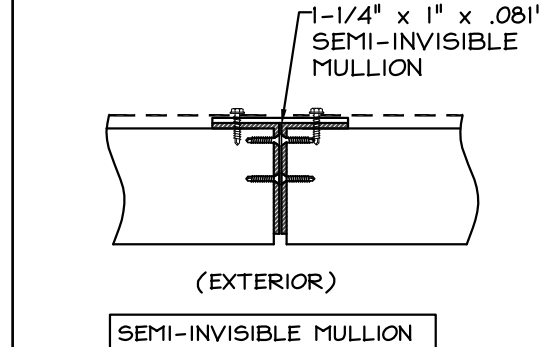
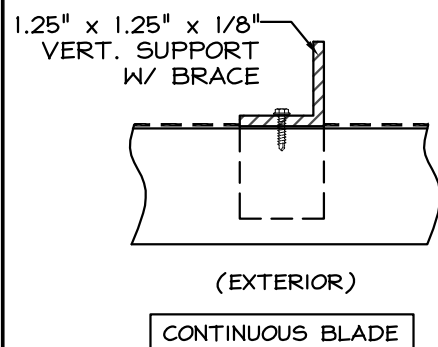
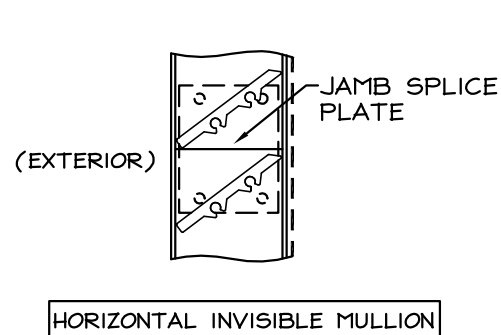
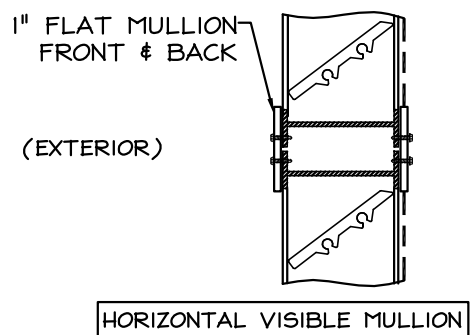
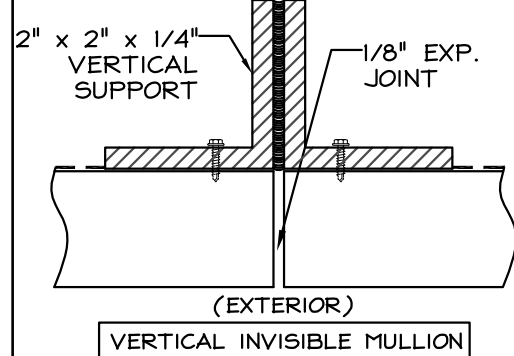
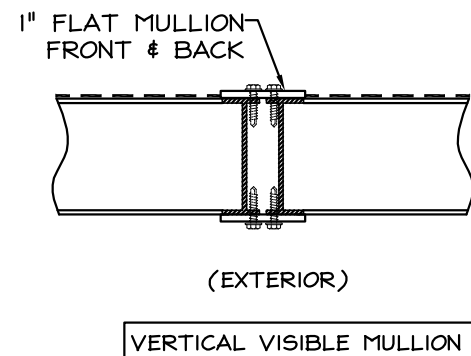
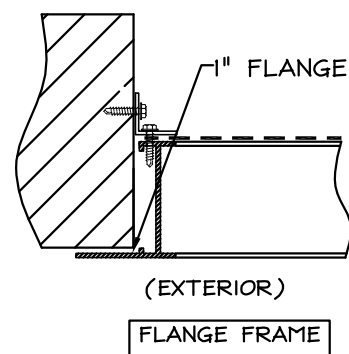
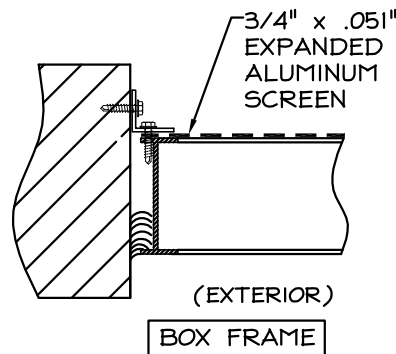


STANDARD CONSTRUCTION

OPTIONAL CONSTRUCTION

STATIONARY EXTRUDED ALUMINUM LOUVER

LET-01/SERIES



REV.	DESCRIPTION	DATE	BY

STANDARD CONSTRUCTION:
 FRAME: .050" THK. EXTRUDED ALUM. 6063-T5
 BLADES: .125" THK. EXTRUDED ALUM. 6063-T5
 FASTENERS: #10-16 X 1" PLTD. STL. TEK SCREW
 SCREEN: 3/4" X .051" EXPANDED ALUMINUM SCREEN NO FRAME
 FINISH: MILL

NOTES:
 1. ALL LOUVERS TO BE FABRICATED 1/4" UNDER LISTED OPENING SIZES UNLESS SPECIFIED "ACTUAL"
 2. ALL OPENING SIZES TO BE FIELD VERIFIED AND GUARANTEED BY OTHERS PRIOR TO FABRICATION.
 3. OTHER SURROUNDING FINISHES ARE FOR REFERENCES ONLY AND TO BE SUPPLIED BY OTHERS.

LOUVER SCHEDULE				TAG	QTY	SIZE (WXH)	NOTES
TAG	QTY	SIZE (WXH)	NOTES				

DOWCO Products Group
 1855 SOUTH 54TH AVENUE, CICERO, IL. 60650
 DEPENDABLE PRODUCTS SINCE 1955

ARCH/ENGR: _____ CUSTOMER: _____

PROJECT: _____ TITLE: LET-01/SERIES

DATE: _____ DRAWN: _____

SCALE: _____ CHKD: _____ DRWG #: _____