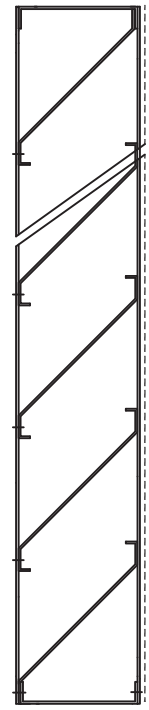
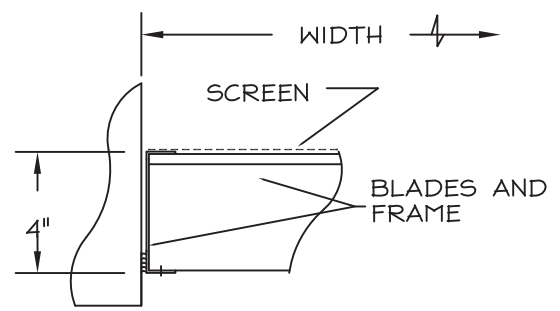


ELEVATION



SECTION "B"



SECTION "A"

STANDARD CONSTRUCTION

MODEL: LFC-04-200E-A
 FRAME: 18 GA. GALV. STEEL
 BLADES: 18 GA. GALV. STEEL
 FASTENERS: STEEL POP-RIVETS EXPOSED TO VIEW
 SCREEN: 1/2" SQ. MESH X 19 GA. SCREEN
 FINISH: NATURAL MILL

NOTES:

1. ALL LOUVERS TO BE FABRICATED 3/8" UNDER LISTED OPNG. SIZES UNLESS SPECIFIED "ACTUAL".
2. ALL OPNG SIZES TO BE FIELD VERIFIED AND GUARANTEED BY OTHERS PRIOR TO FABRICATION.
3. OTHER SURROUNDING FINISHES ARE FOR REFERENCES ONLY AND TO BE SUPPLIED BY OTHERS.

SAFE-AIR  DEPENDABLE PRODUCTS SINCE 1965
DOWCO  1855 SOUTH 54TH AVENUE, CICERO, IL. 60650

ARCH/ENGR:	CUSTOMER:
------------	-----------

REV.	DESCRIPTION	DATE	BY	PROJECT:	TITLE: LFC-04/SERIES
				DATE:	DRAWN:
				SCALE: 1:1	CHKD:
					DRWG #: