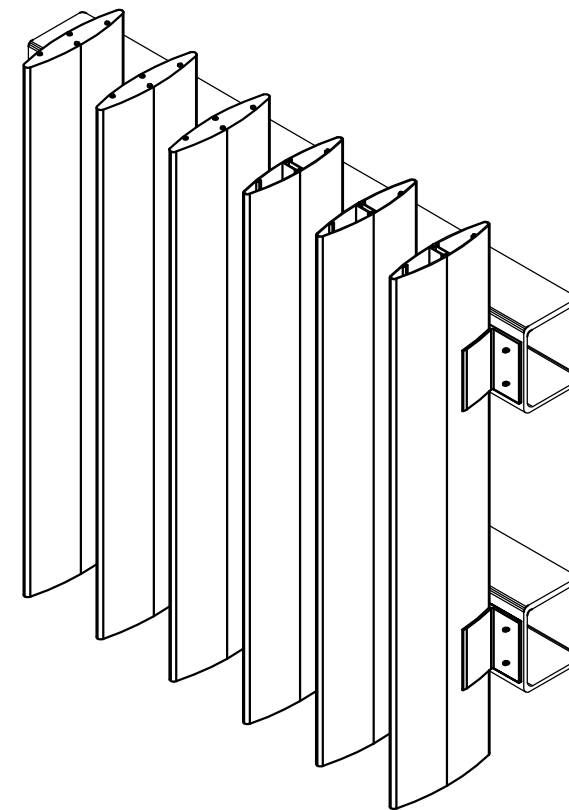


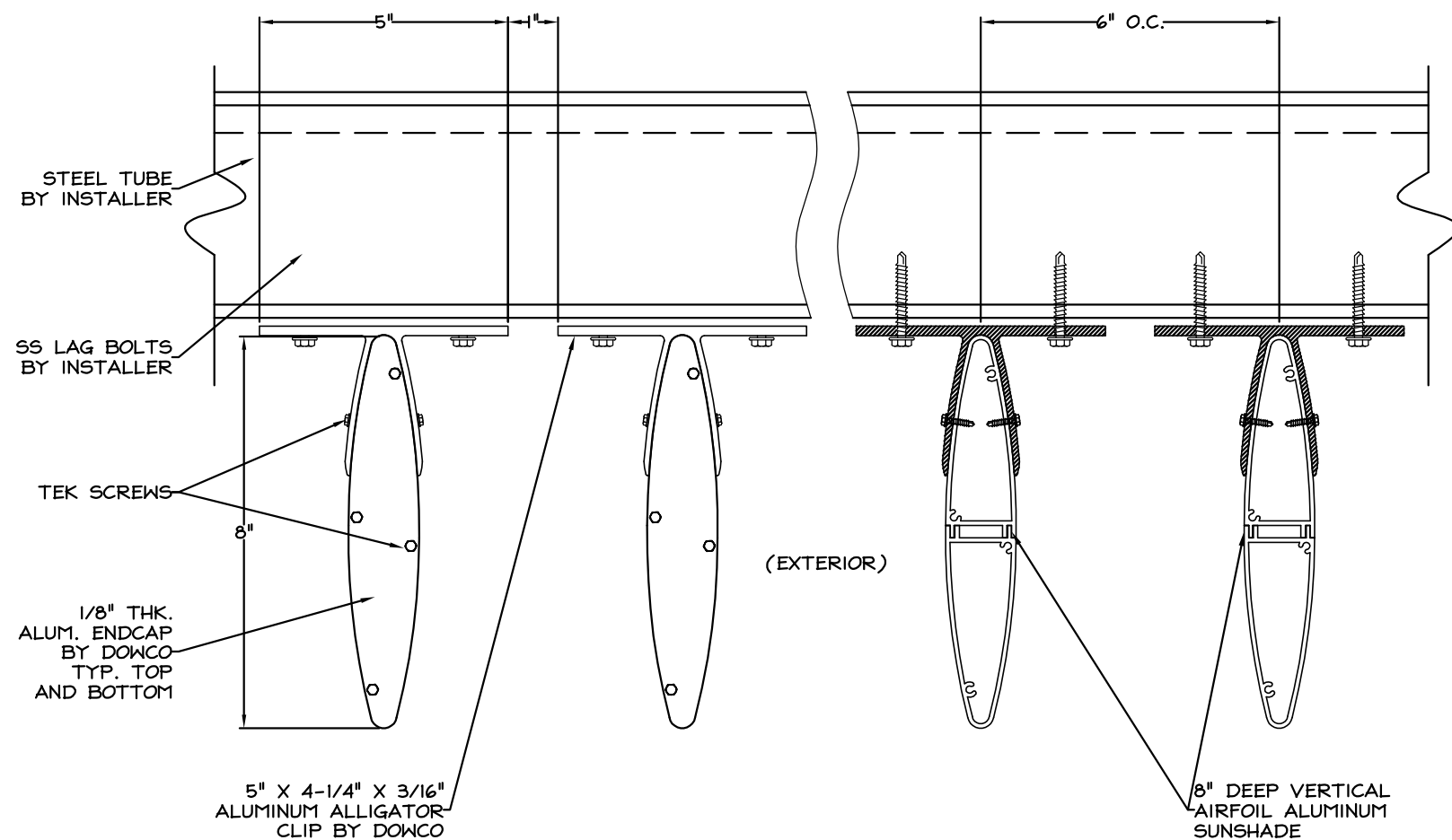
FRONT ELEVATION



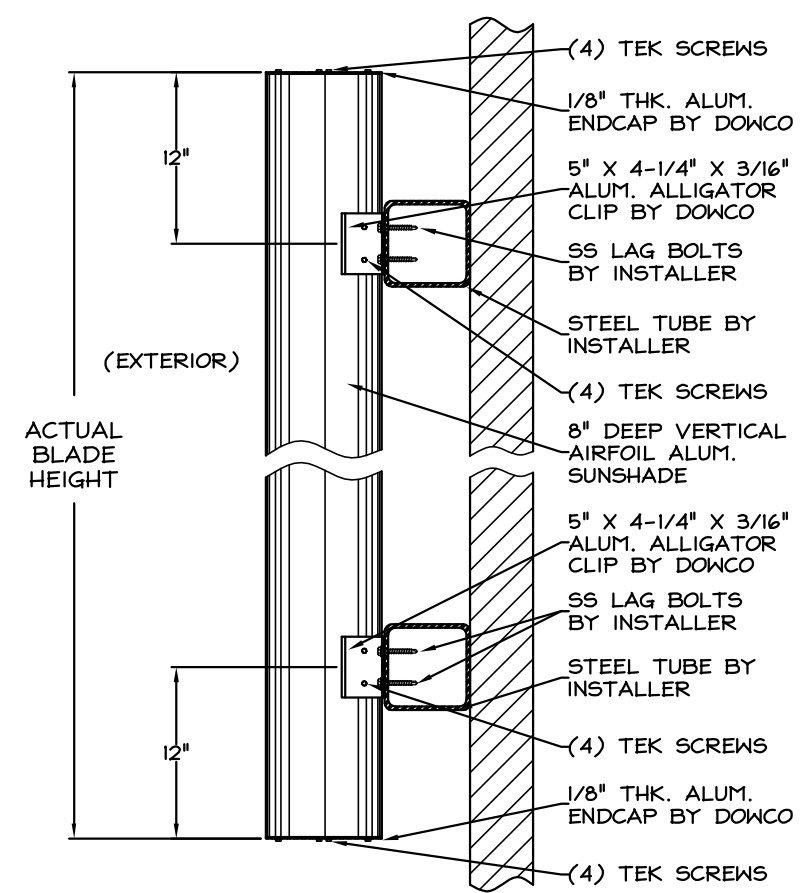
ISOMETRIC

STANDARD CONSTRUCTION
 MODEL: SSE-88V/SERIES
 BLADES: .100" THK. AIRFOIL EXTRUDED ALUMINUM ALLOY (6063-T5)
 ENDCAP: .125" THK. ALUMINUM
 FASTENERS: 1/2" x 4" BOLT
 MOUNTING CLIP: 5" x 4-1/4" x 3/16" ALUMINUM ALLIGATOR CLIP
 FINISH: CLASS 1, CLEAR ANODIZED

- NOTES:**
1. ALL BLADES TO BE FABRICATED 1/4" UNDER LISTED OPNG. SIZES UNLESS SPECIFIED "ACTUAL".
 2. ALL OPNG SIZES TO BE FIELD VERIFIED AND GUARANTEED BY OTHERS PRIOR TO FABRICATION.
 3. OTHER SURROUNDING FINISHES ARE FOR REFERENCES ONLY AND TO BE SUPPLIED BY OTHERS
 4. SUPPORTS ALL LOUVERS WITH ALLIGATOR MTG. CLIPS OR APPROVED EQ. SUPPLIED BY OTHERS



HORIZONTAL SECTION



VERTICAL SECTION

LOUVER SCHEDULE			
TAG	QTY	OPENING SIZE (WXH)	NOTES

DOWCO Products Group
 1855 SOUTH 54TH AVENUE, CICERO, IL. 60650
 DEPENDABLE PRODUCTS SINCE 1955

ARCH/ENGR:		CUSTOMER:	
PROJECT:		TITLE:	
DATE: 2/14/11	DRAWN: CHKD:	DRWG #: SSE-88V/SERIES (1/1)	
REV.	DESCRIPTION	DATE	BY