

Static Integral Sleeve Curtain Fire Damper Model – 150-12A, 14A, 16A

Features – U.L. rated 1 ½ hour fire damper, for use in a 2 hour fire partition. • Meets NFPA 90A & UL 555 • Meets California State Fire Marshal Requirements.

STANDARD CONSTRUCTION

FRAME AND SLEEVE

- 150-12A 12" x 20 gauge galvanized steel
- 150-14A 14" x 20 gauge galvanized steel
- 150-16A 16" x 20 gauge galvanized steel

BLADES

- 3-3/8" wide 22 gauge galvanized steel

MAXIMUM SINGLE SECTION

- Vertical: 48" w x 48" h
- Horizontal: 48" w x 48" h

MINIMUM SIZE

- Vertical: 6" w x 6" h
- Horizontal: 6" w x 6" h

UNDERSIZED

- 1/4" undersize unless specified otherwise

FUSIBLE LINK

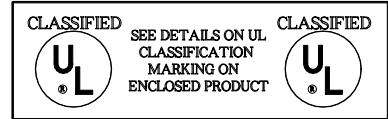
- 165°F standard (others available)

SPRINGS

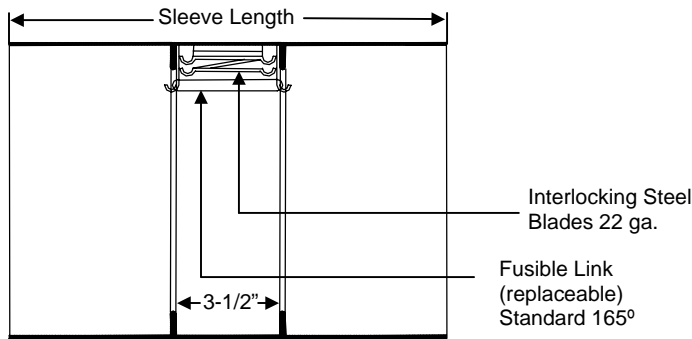
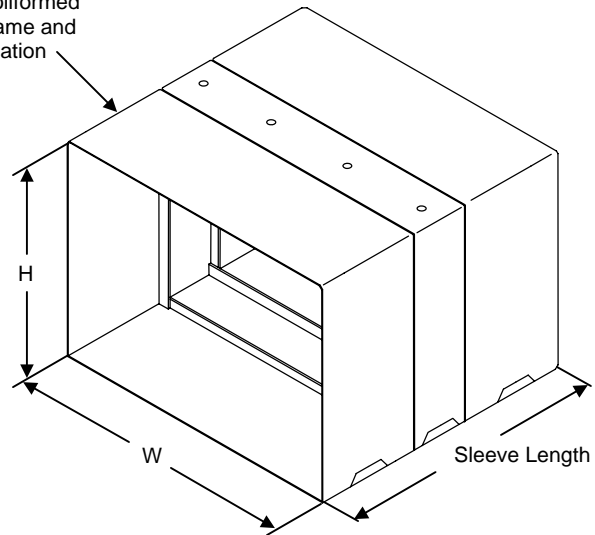
- Stainless steel – 301 Negator type
- (Standard on Horizontal mount only)

OPTIONAL CONSTRUCTION

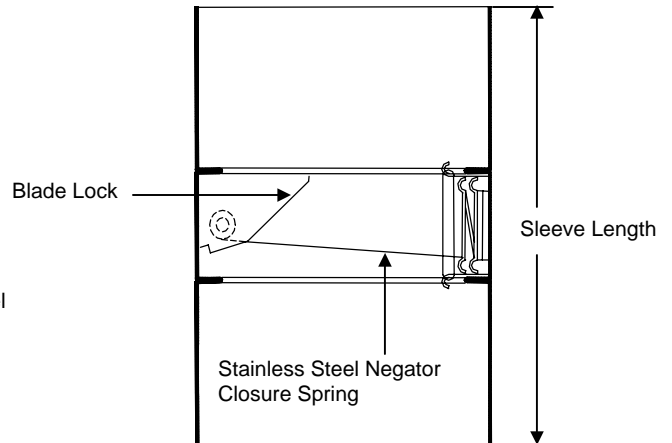
- RETAINING ANGLES** – Shipped Loose
- SECURITY BARS** – Mounted in sleeve
- FUSIBLE LINK** – Electronically triggered link (ETL)



Damper is a rollformed 20 ga. steel frame and sleeve combination



Vertical Section



Horizontal Section

DATE	ARCHITECT			ENGINEER
PROJECT				
ITEM	QTY	W	H	DESCRIPTION



DEPENDABLE PRODUCTS SINCE 1955

SAFE-AIR OF ILLINOIS, INC.

Engineering and General Offices
 1855 South 54th Avenue, Cicero, Illinois 60804
 Phone 708-652-9100 FAX 708-652-9158