

## Static Integral Sleeve Curtain Fire Damper Model – 150-12B, 14B, 16B

**Features** – U.L. rated 1 ½ hour fire damper, for use in a 2 hour fire partition. • Meets NFPA 90A & UL 555 • Meets California State Fire Marshal Requirements.

### STANDARD CONSTRUCTION

#### FRAME AND SLEEVE

- 150-12B 12" x 20 gauge galvanized steel
- 150-14B 14" x 20 gauge galvanized steel
- 150-16B 16" x 20 gauge galvanized steel

#### BLADES

- 3-3/8" wide 22 gauge galvanized steel

#### MAXIMUM SINGLE SECTION

- Vertical: 48" w x 43" h
- Horizontal: 48" w x 43" h

#### MINIMUM SIZE

- Vertical: 6" w x 6" h
- Horizontal: 6" w x 6" h

#### UNDERSIZED

- ¼" undersize unless specified otherwise

#### FUSIBLE LINK

- 165° standard (others available)

#### SPRINGS

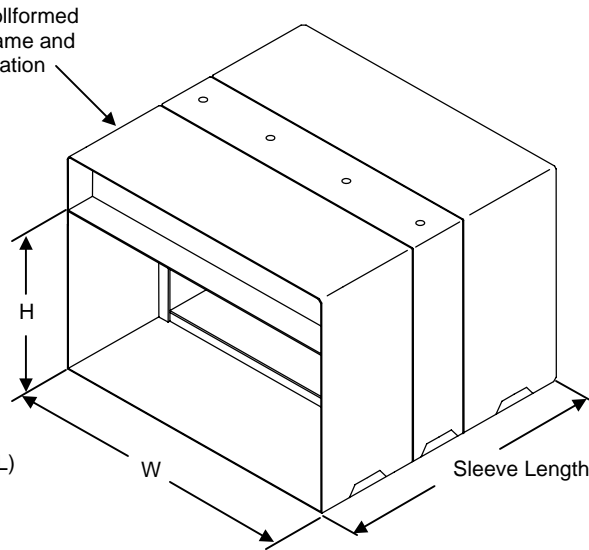
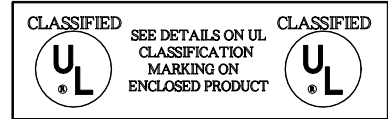
- Stainless steel – 301 Negator type  
(Standard on Horizontal mount only)

### OPTIONAL CONSTRUCTION

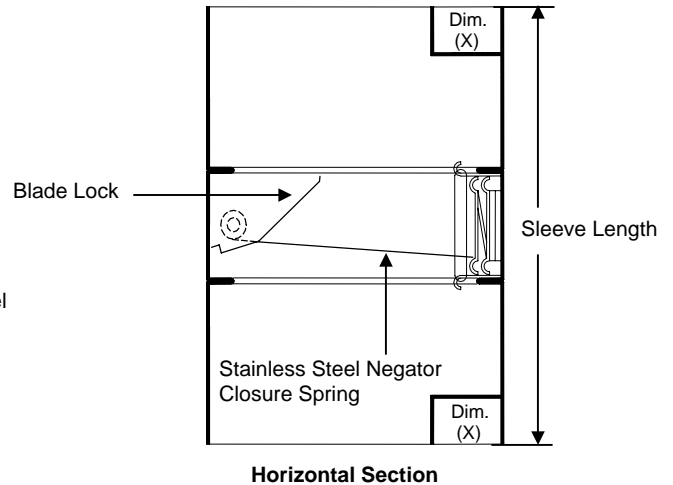
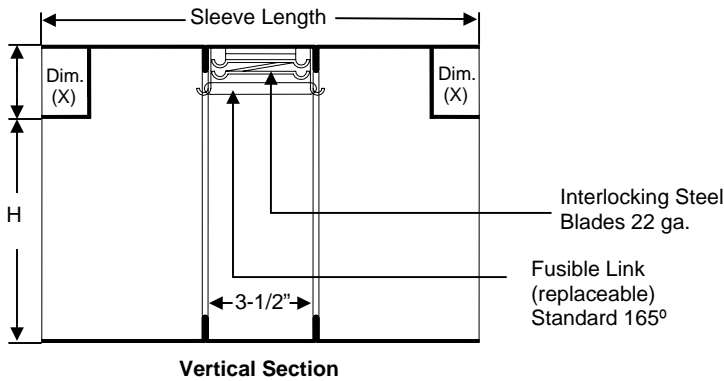
**RETAINING ANGLES** – Shipped Loose

**SECURITY BARS** – Mounted in sleeve

**FUSIBLE LINK** – Electronically triggered link (ETL)



Duct Height	Dim. (X)
4" thru 15"	2"
16" thru 27"	3"
28" thru 39"	4"
40" thru 55"	5"
40" thru 43" (Horizontal Only)	



DATE	ARCHITECT			ENGINEER
PROJECT				
ITEM	QTY	W	H	DESCRIPTION



DEPENDABLE PRODUCTS SINCE 1955

**SAFE-AIR OF ILLINOIS, INC.**

Engineering and General Offices  
1855 South 54th Avenue, Cicero, Illinois 60804  
Phone 708-652-9100 FAX 708-652-9158