

Static Curtain Fire Damper - MODEL 150C-RC

Features – U. L. Rated for 1-1/2 hour fire damper, for use in a 2 hour fire partition. • Meets NFPA 90A & UL555

STANDARD CONSTRUCTION

FRAME

4-7/8" deep, 22 gauge galvanized steel

BLADES

3-3/8" wide, 22 gauge galvanized steel

UNDERSIZED

1/4" under ordered size unless specified otherwise

FUSIBLE LINK

165° Standard (others available)

SPRING

Stainless Steel – 301 Negator type
(Standard for Horizontal mount only)

MINIMUM SIZE

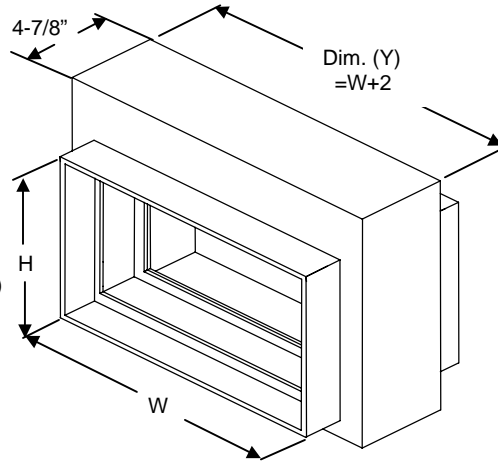
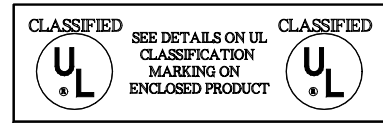
4" w x 4" h (Vertical & Horizontal)

MAXIMUM SINGLE SECTION SIZE (Duct Size)

Vertical – 58" w x 54" h
Horizontal – 46" w x 42" h

MAXIMUM MULTIPLE SECTION SIZE

Vertical – 118" w x 74" h (40" x 40" Single Section)
Horizontal – 95" w x 36" h (36" x 42" Single Section)



Duct Height	Dim. (X)
4" thru 15"	2"
16" thru 27"	3"
28" thru 39"	4"
40" thru 55"	5"
40" thru 43" (Horizontal Only)	

OPTIONAL CONSTRUCTION

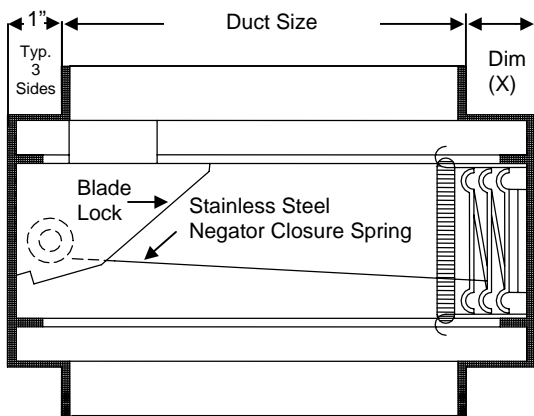
SPRING - Available in vertical mount

FRAME – Available in Stainless Steel

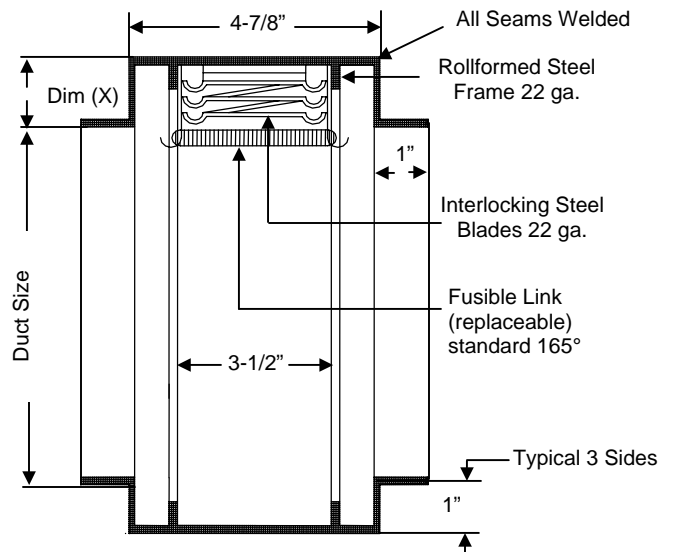
BLADE – Available in Stainless Steel

FUSIBLE LINK – Electrically triggered link (ETL)

SLEEVE & DUCT CONNECTION – 10 ga. to 20 ga. galvanized steel to 30" in length. – transitions available in; round, oval, rectangular, or custom. Factory can install access door, retaining angles, flange connections or security bars.



Horizontal Section



Vertical Section

DATE		ARCHITECT		CUSTOMER	
PROJECT					
ITEM	QTY	W	H	DESCRIPTION	



DEPENDABLE PRODUCTS SINCE 1955

SAFE-AIR/DOWCO

Engineering and General Offices

1855 South 54th Avenue, Cicero, Illinois 60804

Phone 708-652-9100 FAX 708-652-9158