

## Static Fire Damper - MODEL 151A

**Features** – U. L. Rated for 1-1/2 hour fire damper, for use in a 2 hour fire partition.

- Meets NFPA 90A & UL555

### STANDARD CONSTRUCTION

**FRAME**

3-1/2" deep ID, 22 gauge galvanized steel

**BLADES**

3-3/8" wide, 22 gauge galvanized steel

**UNDERSIZED**

1/4" under ordered size unless specified otherwise

**FUSIBLE LINK**

165° Standard (others available)

**SPRING**

Stainless Steel – 301 Negator type  
(standard on horizontal mount only)

**MINIMUM SIZE**

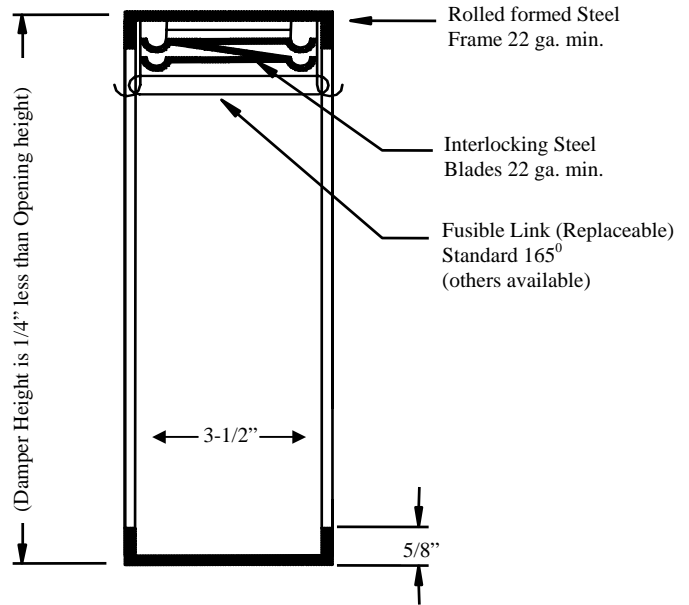
4"w x 4"h

**MAXIMUM SIZE**

Vertical – 60"w x 60"h  
Horizontal – 48"w x 48"h



03225-0751-001



### OPTIONAL CONSTRUCTION

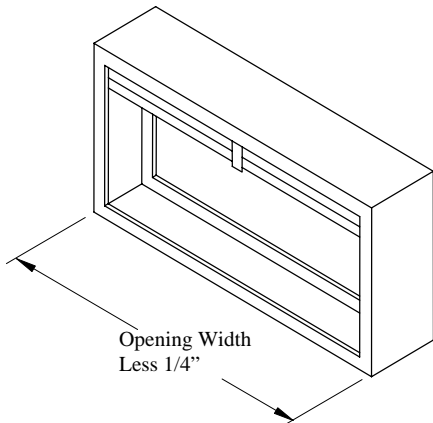
**FRAME** – Available in Stainless Steel

**BLADE** – Available in Stainless Steel

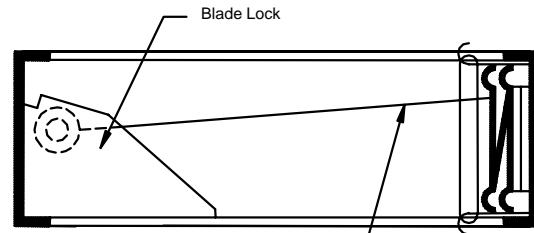
**FUSIBLE LINK** – Electrically triggered link (ETL)

**SLEEVE & DUCT CONNECTION** – 10 ga. to 20 ga. galvanized steel to 30" in length. – transitions available in; round, oval, rectangular, or custom. Factory can install access door, retaining angles, flange connections or security bars.

Consult Factory Regarding Multiple Sections



### Vertical Section



### Horizontal Section

DATE		ARCHITECT		CUSTOMER	
PROJECT					
ITEM	QTY	W	H	DESCRIPTION	