

Ceiling Radiation Fire Damper - Model 410A

Features – U. L. Rated for 4 hour ceiling fire damper – Classified for use in a 4 hour fire rated ceiling. (Not rated for UL wood truss ceiling design) • Meets NFPA 90A & UL555C Requirements

STANDARD CONSTRUCTION

FRAME

4-7/8" deep, 22 gauge galvanized steel

BLADES

3-3/8" wide, 22 gauge galvanized steel

THERMAL FABRIC

High temperature reinforced fiber

UNDERSIZED

1/4" under ordered size unless specified otherwise

FUSIBLE LINK

165° Standard (others available)

SPRING

Stainless Steel – 301 Negator type

MINIMUM SIZE

4" w x 4" h

MAXIMUM SINGLE SECTION SIZE

4 Hour rated – 12" w x 12" h

1 Hour rated – 24" w x 24" h

OPTIONAL CONSTRUCTION

FRAME – Available in Stainless Steel

Also available with a narrow 2" thick frame (not shown)

BLADE – Available in Stainless Steel

FUSIBLE LINK – Electrically triggered link (ETL)

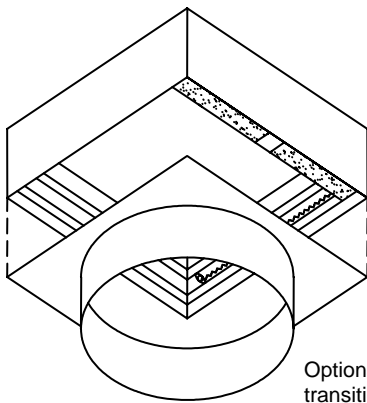
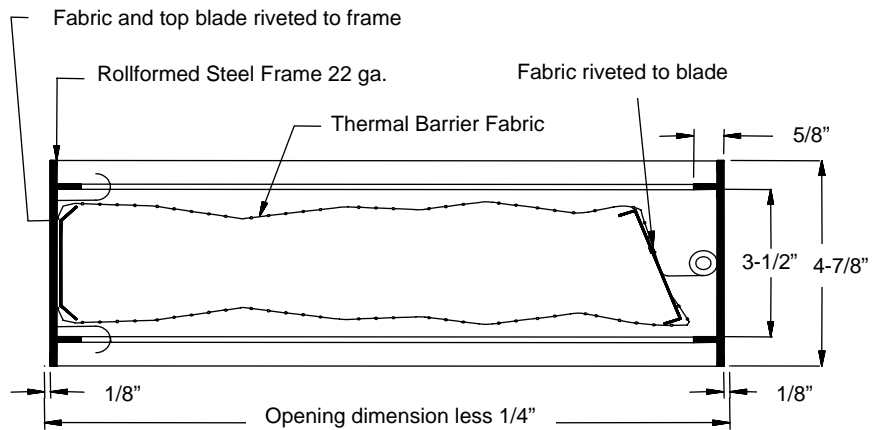
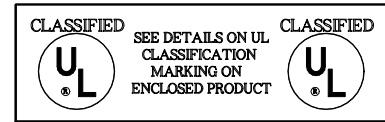
410 A-2 – 2" Frame

410 B – "B" pan for 90% free area

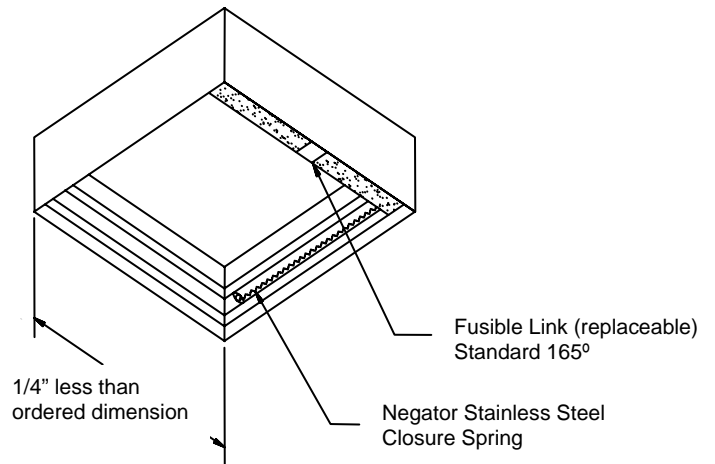
410 C-1 – Square to round transition (one side)

410 C-2 – Square to round transition (both sides)

For round transitions the ordered round O.D. dimension dictates the dampers finished size. To the O.D. dimension, please add 2" to the width and height of the damper.



Optional Square to Round transition (others available)



DATE		ARCHITECT		CUSTOMER	
PROJECT					
ITEM	QTY	W	H	DESCRIPTION	



DEPENDABLE PRODUCTS SINCE 1955

SAFE-AIR/DOWCO

Engineering and General Offices

1855 South 54th Avenue, Cicero, Illinois 60804

Phone 708-652-9100 FAX 708-652-9158