

CEILING RADIATION FIRE DAMPER Model 421

Design Features – U.L. rated for 3-hour ceiling fire damper. Meets NFPA 90A and UL 555C. Designed for use in air duct openings as a heat barrier and protection against fire and heat radiation. (Not rated for UL wood truss ceiling design)

STANDARD CONSTRUCTION

COLLAR

2-1/2" deep, 22 gauge galvanized steel

BLADES

22 gauge galvanized steel with a ceramic fiberglass outer cover for dampers over 80 sq. in. (516 sq. cm).

UNDERSIZED

1/4" under ordered size

FUSIBLE LINK

212°F Standard (100°C)

MAXIMUM U. L. CLASSIFIED SIZE

24" x 24" unit size

MINIMUM U. L. CLASSIFIED SIZE

4" x 4" unit size

FINISH

Galvanized

OPERATOR

None



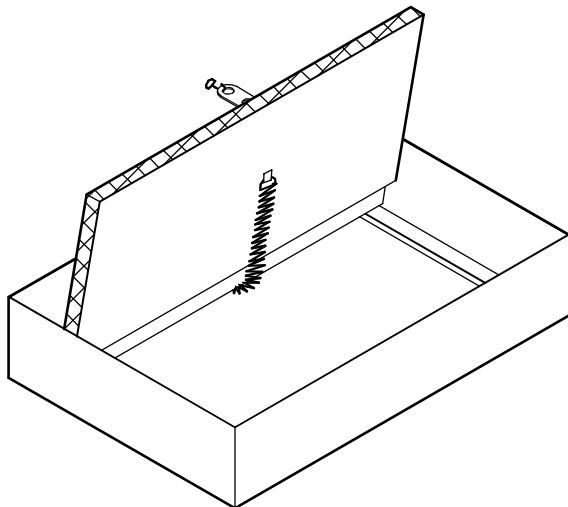
Key to drawings

- 1. Fusible link
- 2. Ceramic Fiberglass Insulation
- 3. Blades
- 4. Spring
- 5. Frame
- 6. Steel Duct Drop (by others)

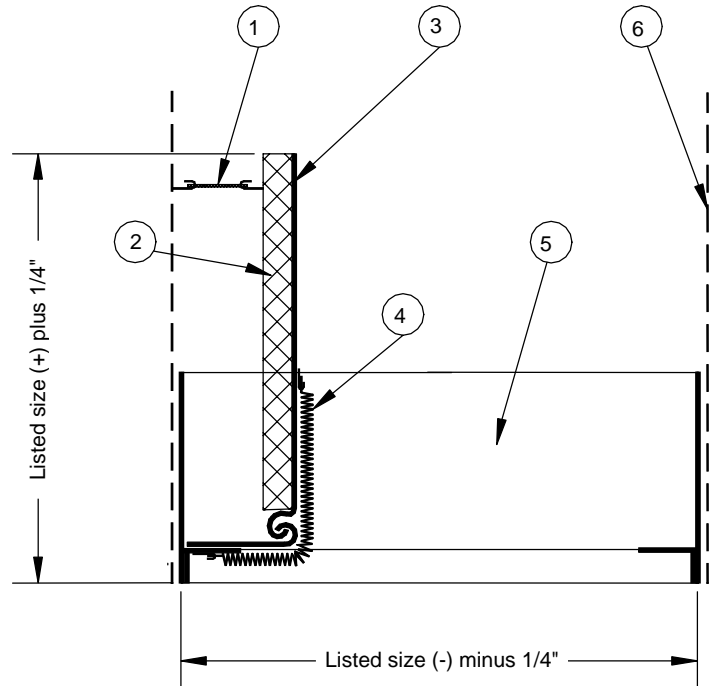
OPTIONAL CONSTRUCTION

FUSIBLE LINK – 165° F

FOR INSTALLATION INSTRUCTIONS,
PLEASE SEE MODEL 420



**CEILING RADIATION DAMPER
(SINGLE BLADE – RECTANGULAR OR SQUARE)**



DATE	ARCHITECT / ENGINEER			CUSTOMER
PROJECT				
ITEM	QTY	W	H	DESCRIPTION