

Corridor Fire/Smoke Combination Damper – Model 472 CLASS II

Features – U.L. rated for dynamic closure & leakage CLASS II @ 250° F or 350° F. Meets NFPA 90A & UL 555 & UL 555S. Seismic and Fragility tested. Meets California State Fire Marshal Requirements.

STANDARD CONSTRUCTION

FRAME

4-5/16" deep, 16 gauge galvanized steel

BLADES

6 1/2" wide, 16 gauge galvanized steel
(Bottom blade width may vary depending on damper height)

BLADE AXLES & BEARINGS

AXLES – 7/16" Dia. Plated hex mechanically fastened to blade
BEARINGS – 1/2" Dia. Bronze oil impregnated

LINKAGE

Plated steel in opposed blade configuration, concealed inside the jamb

SEALS

Silicone blade edge and stainless steel jamb seals

MAXIMUM UL CLASSIFIED LEAKAGE CLASS II SIZE

24" W x 24"H

MINIMUM UL CLASSIFIED LEAKAGE CLASS II SIZE

12"W x 9"H

SLEEVE

18 ga. x 16" deep galvanized steel

UNDERSIZED

1/4" under ordered size unless specified Exact or Actual

FINISH

Mill

HEAT SENSOR

120 VAC, 165° to 350°

OPERATOR

Refer to UL approved actuator chart

MOUNTING ANGLES

1-1/2" x 1-1/2" x 18 ga. galvanized steel

OPTIONAL CONSTRUCTION

SLEEVE AND DUCTWORK CONNECTION – 10 ga. to 20 ga. galvanized steel to 30" in length. – Transitions available in: round, oval, rectangular or custom. Factory can install access door, retaining angles, or flange connections.

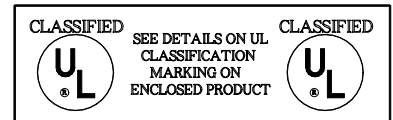
*Dampers 11" high and under will be single blade, and extend from the frame proportionately

ACCESSORIES

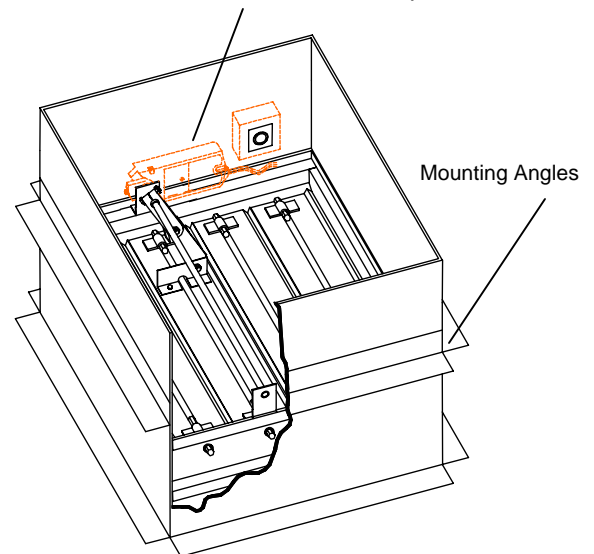
Smoke Detector
Indicator Switches
Monitoring Station
Dual Sensors



03225-0751-104



Internal Motor Mount Only



APPROVED ACTUATORS

Honeywell Siemens Belimo

	Honeywell	Siemens	Belimo
24 Vac -	ML 8115	GND121.1U	FSNF24 US*
	MS 820	GND126.1U	
	MS 8120	GGD121.1U	
120 Vac -	ML 4115	GND221.1U	FSNF120 US*
	MS 4209	GND226.1U	
	MS 4120	GGD221.1U	
230 Vac -		GND321.1U	
		GGD321.1U	
Pneumatic -		331-2961	
		331-3060	
		331-4826	

* Only for dampers up to 24" x 24"

DATE	ARCHITECT				ENGINEER
PROJECT					
ITEM	QTY	W	H	DESCRIPTION	



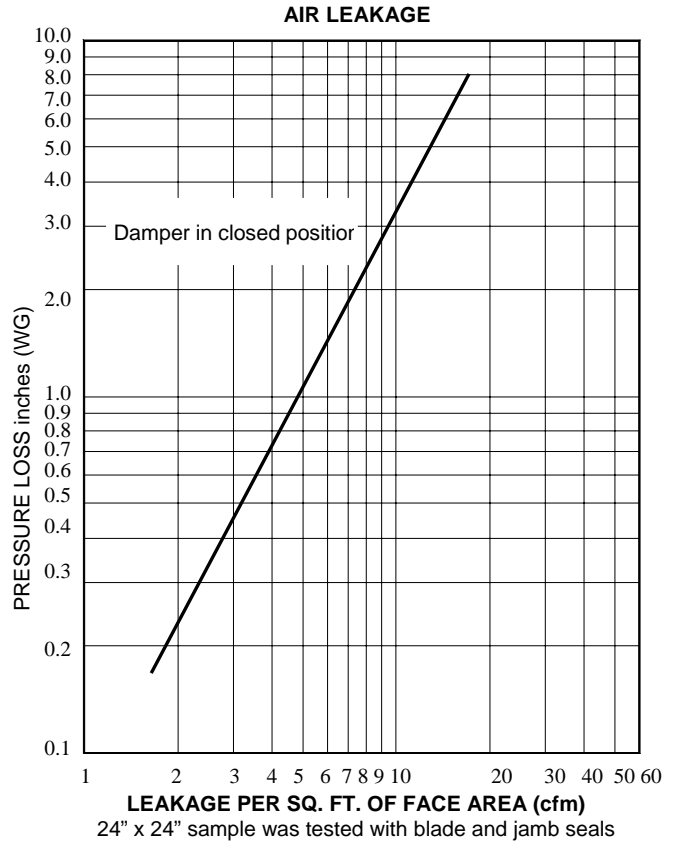
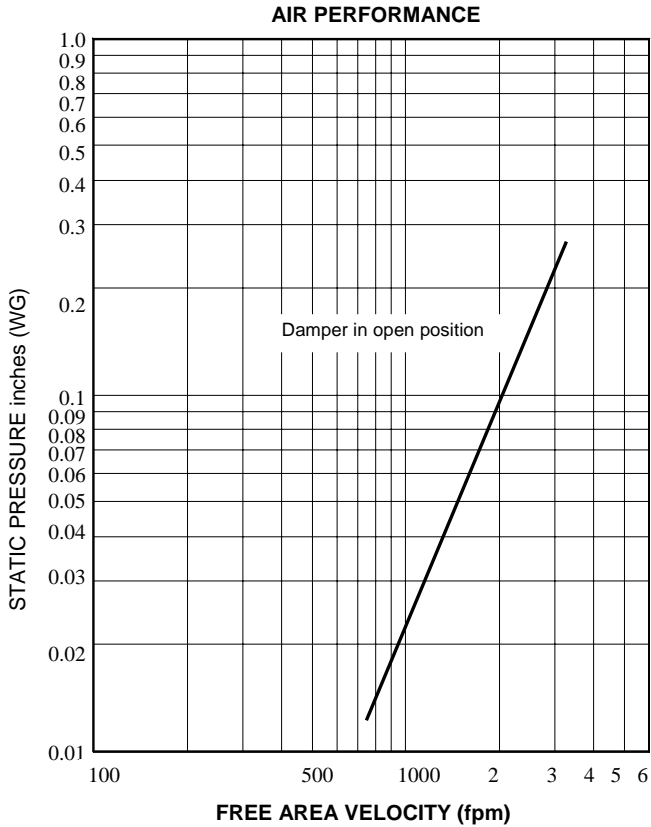
DEPENDABLE PRODUCTS SINCE 1955

SAFE-AIR/DOWCO

Engineering and General Offices

1855 South 54th Avenue, Cicero, Illinois 60804

Phone 708-652-9100 FAX 708-652-9158



CALCULATING PRESSURE LOSS:

Based upon a given flow rate (in CFM), the flowing pressure loss may be determined from the "air performance graph, knowing the sq. ft. of free area of the damper. Alternately, the free area may be determined based upon a volumetric flow rate and a maximum pressure loss. Utilizing the "air performance" graph.

_____ in. W.C. Max. Pressure Loss Intake or Exhaust

_____ FPM (Free Area Velocity From "Air Performance" Graph)

_____ CFM / _____ FPM Free Area Velocity = _____ Sq. Ft. Free Area

U. L. CLASSIFIED DYNAMIC CLOSURE RATING

Our maximum recommended operating for this damper is 2000 fpm @ 4" static pressure. This damper has been tested in accordance with the U.L. requirements for closure under installed " system in operation " conditions, (Dynamic closure). Single sections 24"w x 24"h have been tested capable to close, mounted either vertical or horizontal, at 3000 fpm. @ 8" static pressure.

FREE AREA CALCULATIONS IN SQ. FT.

		WIDTH			
		12	16	20	24
HEIGHT	Inches	12	16	20	24
	12	0.56	0.78	1.00	1.22
	16	0.83	1.17	1.50	1.83
	20	1.06	1.48	1.91	2.33
24	1.28	1.80	2.31	2.83	